

Strata[®] *DK*

Digital Business Telephone Systems

**Digital Telephone
User Guide**

(includes LCD, Add-on Module, and Direct Station Selection Console)

Publication Information

Toshiba America Information Systems, Inc., Telecommunication Systems Division, reserves the right, without prior notice, to revise this information publication for any reason, including, but not limited to, utilization of new advances in the state of technical arts or to simply change the design of this document.

Further, Toshiba America Information Systems, Inc., Telecommunication Systems Division, also reserves the right, without prior notice, to make such changes in equipment design or components as engineering or manufacturing methods may warrant.

Version A, September 1996
Version B, October 1997
Version C, April 1998

© Copyright 1996~1998

**Toshiba America Information Systems, Inc.
Telecommunication Systems Division**

All rights reserved. No part of this manual, covered by the copyrights hereon, may be reproduced in any form or by any means—graphic, electronic, or mechanical, including recording, taping, photocopying, or information retrieval systems—without express written permission of the publisher of this material.

Strata is a registered trademark of Toshiba America Information Systems, Inc.

Trademarks, registered trademarks, and service marks are the property of their respective owners.

Contents

Organization	viii
How to Use This Guide	viii
Conventions	ix
Related Documents	x

Chapter 1 – The Grand Tour

Buttons	3
Fixed Buttons	3
Flexible Buttons	5
LCD	8
LCD Buttons	8
LED Indicators	9
On-hook/Off-hook	10
Volume Controls	10

Chapter 2 – Features

Before You Begin	13
Automatic Line Selection	13
Ringing Line Preference	14
Signaling	14
Quick Reference	14
Making an Internal Call	14
Making an Outside Call	15
Making an Outside Call to an ISDN Trunk	15
On-Hook Dialing	16
Answering Calls	16
Incoming Call Notification	17

Account Code Calls	17
Forced Account Codes (Verified/Non-Verified)	17
Voluntary Account Codes (Verified/Non-Verified)	17
Alarm Reset	18
Alert Signaling	19
Attendant Console Calling	19
Automatic Busy Redial (ABR)	20
Automatic Callback (ACB)	21
Automatic Hold	22
BGM Over Telephone Speakers	23
Call Forward	23
Call Forward Modes	24
Using Call Forward Buttons	25
Using Access Codes	25
LCD Telephones	25
Call Forward—All Calls	26
Call Forward—Busy	26
Call Forward—No Answer	27
Call Forward—Busy/No Answer	28
Call Forward—Fixed	29
Call Forward—External	29
Call Park Orbits	31
Call Park and Page	32
Call Pickup	33
[DN] Pickup	33
Directed Call Pickup	34
Group Pickup	34
Page/Internal Call Pickup	35
Call Transfer with Camp-on	35
Call Waiting	36
Conference Calls	37
Date/Time/Day Adjustment	38
Direct Inward System Access (DISA)	38
DISA Calls - Internal	38
DISA Calls - External	39
Direct Station Selection (DSS) Buttons (Hotline)	40
Do Not Disturb (DND)	40
Door Lock(s)	41

Door Phone(s)	42
DTMF Tone Dialing with * and #	43
Emergency Ringdown/Hotline Service	44
Group Listening	44
Handsfree Answerback	44
Handsfree Monitoring	45
ISDN Outgoing Calling	46
Subaddress	46
Message Waiting	47
Message Waiting Light on [PDN]	47
Message Waiting Light on [PhDN/MW]	48
Message Waiting Light on Another Telephone	49
Microphone Cut-Off	49
Off-hook Call Announce (OCA)	50
HS-OCA	51
SP-OCA	51
Override Calls	52
Busy Override	53
Do Not Disturb Override	53
Executive Override	53
Privacy Override	54
Toll Restriction Override	54
Page Announcements	55
All Call Page	55
Privacy On-Line	56
Privacy Release	56
Release and Answer	57
Saved Number Redial	57
Speakerphone	58
Speed Dial	59
Speed Dial—Advanced Features	61
Feature Access Codes	61
Speed Dial Pause and Flash Storage	63
Speed Dial Number Linking	64
Chain Dialing Speed Dial Numbers	66
Timed Reminders	66
Tone/Pulse Dialing	68
Two (Tandem) CO Line Connection	68

[DN] Button	68
CO Buttons	69
Supervision	71
Voice Mail Integration	71
Message Mailbox	71
Message Retrieval	72
Call Forward to Voice Systems	74

Chapter 3 – LCD Operation

Control Buttons	75
Soft Keys	77
Soft Key Display	78
How to Use Soft Keys	78
Soft Key Prompts	80
Busy Lamp Field (BLF) Display	81
Caller ID/ANI/DNIS Information Mode	82
DNIS	82
ANI/Caller ID	82
Call Park Orbit List Display	83
Retrieve and Auto Dial Lost Calls	84
Messages, Memos, and Name Display	85
Messages	87
System Messages 60~64	88
System Messages 65~99	88
Station Messages	88
Message Notifications	91
Silent Messaging (Busy Station)	93
Memos	94
Speed Dial Memos	94
Timed Reminders	96
Name/Number Display	96

Chapter 4 – Add-on Module/DSS Console

DADM	99
DSS Console	101
[DSS] Button	102
Features	102
Calling a Station	102

Transfer to an Idle Station	102
Call Transfer with Camp-on	103
Call Answering (CO Line)	104
Speed Dial	104
Paging	104
Call Forward Override ([DSS] Override)	104
Night Transfer	105
CO Line Access Codes	107
Feature Access Codes	108
Paging Access Codes	108
Speed Dial Access Codes	109
Flexible Directory Numbering	111
Centrex Feature Buttons	111
Ringling Repeat	111
Delayed Ringing	112

Figures

1	20-button Digital Speakerphone with LCD	2
2	Multiple Directory Numbers Example	7
3	LCD Buttons (with sample Soft Keys)	8
4	Example Button Assignments for the Strata DK DADMs	100
5	Example Button Assignments (DDSS2060 shown)	101

Tables

1	Fixed Button Definitions	3
2	Directory Button Definitions	6
3	LED Indicators	9
4	Using only Vol ▲/Vol ▼	10
5	Using Vol ▲/Vol ▼ with Other Buttons	11
6	Door Phone Lock IDs/Locations	42
7	Feature Access Codes	62
8	Control Button Definitions	75
9	Soft Key Prompts	80
10	DNIS/ANI Samples	83
11	Dial Pad Key Equivalents	87
12	CO Line Access Codes	107
13	Paging Groups	108
14	External Paging Zones	109
15	Speed Dial Access Codes	109
16	Speed Dial Number Linking	110
17	Feature Button Definitions	113

Introduction

This guide describes how to use the 2000-series digital telephones for Strata DK systems. Models covered in this user guide include digital telephones equipped with a Liquid Crystal Display (LCD) and/or speakerphone. Also discussed are Digital Add-on Modules (DADMs) and the Direct Station Selection (DSS) Console. The Strata DK systems which support this equipment are:

- ♦ DK14
- ♦ DK16e
- ♦ DK40
- ♦ DK280 (Release 3.0 or higher)
- ♦ DK424

Note This user guide incorporates the information in the Strata DK's *Liquid Crystal Display Digital Telephone User Guide* and the *Add-on Module and Direct Station Selection Console User Guide*. Those guides are discontinued.

Organization

- ♦ **Chapter 1—The Grand Tour** provides an overview of the equipment, buttons, Light Emitting Diodes (LEDs), and LCDs.
- ♦ **Chapter 2—Features** describes the available digital telephone features in alphabetical order. Detailed instructions on using each feature are covered.
- ♦ **Chapter 3—LCD Operation** includes an explanation of the Control button and Soft Key operations. Features which are available only on the LCD digital telephone are presented alphabetically and include detailed LCD displays.
- ♦ **Chapter 4—Add-on Module/DSS Consoles** describes the DADM and DSS console features and buttons.
- ♦ **Appendix A—Access Codes** provides instructions for programming a sequence of steps or access codes onto feature buttons. It includes CO Line Access Codes, Paging Group Codes, Feature Access Codes (User Programmable Buttons), and Speed Dial Access Codes.
- ♦ **Appendix B—Centrex Application** describes the Centrex features which may be available with your Strata DK system.
- ♦ **Appendix C—Button Labels** lists the feature button designations of the 2000-series digital telephone models.

How to Use This Guide

We suggest that you read this entire guide and get acquainted with the Strata DK digital telephones and its features. Once you become acquainted with the basic features, you can use this guide in conjunction with the *Digital Telephone Quick Reference Guide*.

Conventions

The left column gives you single or numbered steps that you need to perform a procedure.

The right column gives the immediate response to your action. This column also includes additional notes and comments.

Note Elaborates specific items or references other information. Within some tables, General Notes apply to the entire table and numbered Notes apply to specific items.

Important! *Calls attention to important instructions or information.*

Letters in [brackets] represent buttons which have Directory Numbers on them. For example:

- [PDN] represents a Primary Directory Number (also known as an Extension Number for your telephone).
- [SDN] represents a Secondary appearance of a [PDN]. A [PDN] which appears on another telephone is considered an [SDN].
- [PhDN] represents a Phantom Directory Number button (an additional Directory Number).
- [DN] represents a Directory Number button (also known as an Extension or Intercom Number). Whenever [DN] is used in this guide, it means the user can use any [PDN], [SDN], or [PhDN].
- [DSS] represents the directory number of another station which is accessed from a DADM or DSS Console when this button is pressed.

- Extra bold** represents buttons on a telephone.
- ~ means “through”
- + is used for multiple key entries.
- denotes the step in a one-step procedure.

Related Documents

Refer to the following documents for more information:

- ◆ *Digital Telephone Quick Reference Guide*
- ◆ *PC/Data Interface User Guide*
- ◆ *System Administrator Guide*

This chapter familiarizes you with the controls and indicators located on your digital telephone. Understanding the function of the feature buttons and their associated LEDs will improve your efficiency in using the telephone and will help you take advantage of all of the benefits your telephone offers.

Toshiba digital telephones incorporate state-of-the-art telecommunications technology and provide a vast array of calling features. They are easy to operate, and all features are accessed with a feature button or a brief access code.

If your telephone is equipped with an LCD, information and feature prompting makes call handling more efficient and provides easy access to frequently-used features. Abbreviated feature prompts guide you through specific tasks.

In addition to the standard features, the LCD telephones provide Alphanumeric Messaging, Busy Lamp Field (BLF) Identification, Central Office (CO) Line Identification, Timed Reminders with Messaging, Speed Dial Memo Directory Dialing, User Name/Number, Call Duration, Date/Time of Day displays, and the ability to display names and telephone numbers of outside, incoming callers.

Telephones equipped with a speakerphone, enable you to make and receive outside and internal calls without lifting the handset.

Feature operations in this guide use the button designations for the 2000-series models.

The following telephone models belong to the 2000-series (see [Figure 1 on Page 2](#)):

- ◆ DKT2010-H (10-button model that enables users to answer internal calls without lifting the handset)
- ◆ DKT2010-SD (10-button model equipped with a LCD and a speakerphone which enables users to make and receive outside and internal calls without lifting the handset)
- ◆ DKT2020-S (20-button speakerphone model which enables users to make and receive outside and internal calls without lifting the handset)

- ◆ DKT2020-SD (20-button speakerphone model equipped with an LCD, and a speakerphone which enables users to make and receive outside and internal calls without lifting the handset).

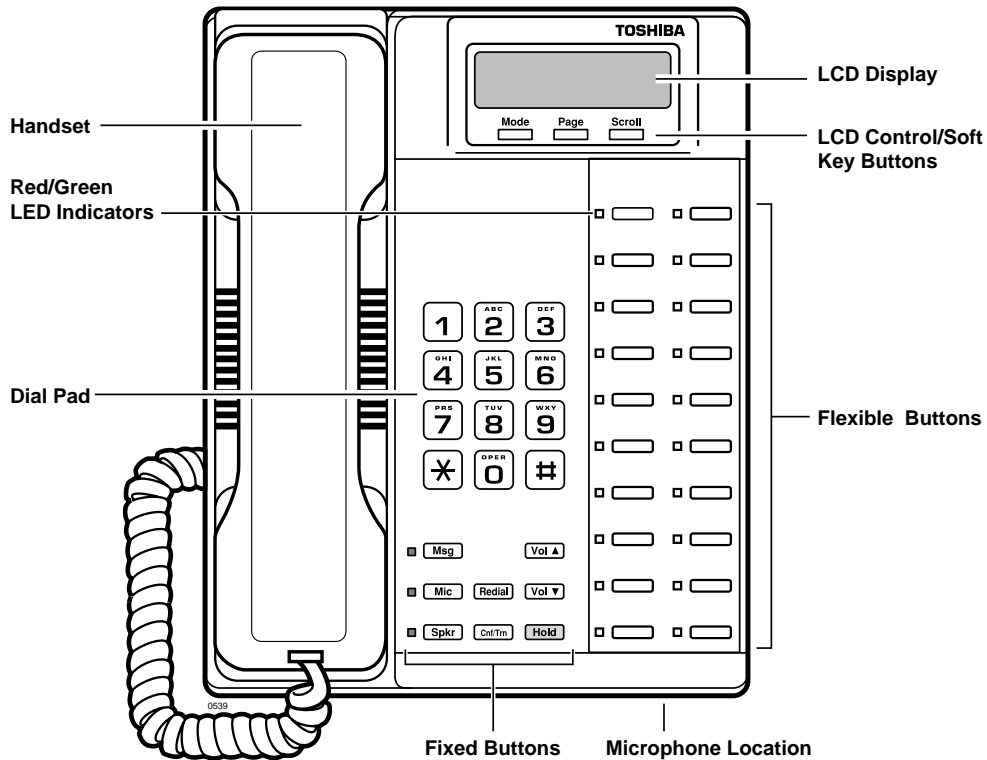


Figure 1 20-button Digital Speakerphone with LCD

Buttons

There are two sets of buttons, fixed and flexible. The fixed buttons (e.g., **Mic**, **Msg**, **Redial**, **Hold**, **Conf/Trn**, **Vol▲**, and **Vol▼**) are standard to every Strata DK 2000-series telephone (see [Figure 1](#)). The flexible buttons consist of Directory Number (Primary, Secondary, Phantom) and feature buttons. The number of preprogrammed flexible buttons varies by telephone.

Fixed Buttons

The fixed buttons are located on your dial pad and enable you to perform standard functions quickly and easily.

Table 1 Fixed Button Definitions

Button	Definitions
Cnf/Trn (Conference/ Transfer)	<ul style="list-style-type: none"> ➤ Press to set up conference and transfer calls (see “Conference Calls” on Page 37).
Hold	<ul style="list-style-type: none"> ➤ Press once to hold internal or outside calls. The Line LED flashes green at the internal hold rate. <div style="border: 1px solid black; padding: 2px; width: fit-content; margin-left: 20px;"> HOLD LINE 10 JAN 01 SUN 12:19 </div> ...or press twice to enable Exclusive Hold. The Line LED flashes green at the exclusive hold rate. <p>Note Exclusive Hold enables you to place a call on hold so that only you or somebody using a Call Pickup code at another station can retrieve it.</p> <p>To retrieve a call on hold:</p> <ul style="list-style-type: none"> ➤ Press Line or [DN] which is on hold <ul style="list-style-type: none"> ...or if the call is on Exclusive Hold, from another station dial #5 plus your [DN], or dial #5#7 plus the CO line number (001~200) that the call is held on. <p>If a call is not retrieved by a certain time (set in system programming), it recalls back to your phone. You hear repeated recall tone (or if you are on the phone, you hear recall tone twice).</p> <div style="border: 1px solid black; padding: 2px; width: fit-content; margin-left: 20px;"> HOLD LINE 201 LINE 10 RECALL </div>

Table 1 Fixed Button Definitions (continued)

Button	Definitions
<p>Hold (continued)</p>	<p>If the held party hangs up, the call is released and the CO provides a hold-release signal.</p> <p>Note If your telephone is programmed for Automatic Hold, existing calls are automatically placed on hold when you answer a call or make another call. (See “Automatic Hold” on Page 22.)</p> <p>A different call can be held on each [DN] or Line button on your phone. Each time you press Scroll, a different [DN] or Line is selected. The selected button’s LED flashes rapidly and your LCD displays information for the call holding on that button (samples shown at right).</p> <div style="display: flex; justify-content: space-around; align-items: center;"> <div style="border: 1px solid black; padding: 5px; text-align: center;"> <p>CO LINE 02</p> <p>HOLD</p> </div> <div style="border: 1px solid black; padding: 5px; text-align: center;"> <p>DN 202</p> <p>HOLD</p> </div> </div>
<p>Mic (Microphone)</p>	<p>➤ Press to toggle the microphone ON/OFF while the telephone is in use. The LED indicates the status of the microphone.</p> <p>Notes</p> <ul style="list-style-type: none"> ◆ The microphone and accompanying LED are always ON when receiving “voice first” internal [DN] calls to enable Handsfree Answerback and OFF if you receive a ring-first call. Mic may be ON/OFF when placing an on-hook CO line or internal [DN] call. ◆ Each station’s Mic can be set in system programming to switch ON/OFF with one touch, to switch OFF only while pressed and held, or to be either ON/OFF at the start of handsfree dialing. ◆ To talkback to an HS-OCA call, press and hold Mic and talk over your telephone handset/headset. The LED and microphone remain OFF during OCA talkback operation (see “HS-OCA” on Page 51). ◆ Mic functions on Handsfree Answerback and OCA calls for privacy.
<p>Msg (Message)</p>	<p>➤ When Msg LED flashes, press Msg to call back the station or voice mail device that activated the LED (see “Message Waiting” on Page 47). This is the telephone’s [PDN] message waiting button.</p>
<p>Redial</p>	<p>➤ Press the same [DN] or Line that you used to dial the original number. Press Redial. The last number called is redialed.</p> <p>Note If you have Automatic Line Selection, you must first lift the handset.</p>

Table 1 Fixed Button Definitions (continued)

Button	Definitions
Spkr (Speaker)	<ul style="list-style-type: none"> ➤ Press to toggle the speaker ON/OFF. The LED indicates the status of the speaker. <p>Notes</p> <ul style="list-style-type: none"> ✦ Spkr must be pressed and held down when switching from Handset to Speakerphone mode. ✦ Also selects a line or the internal [PDN] if programmed for auto preference in system programming. Can be used to disconnect on-hook speakerphone calls.
Vol▲ Vol▼	<ul style="list-style-type: none"> ➤ Press to adjust volume levels (see “Volume Controls” on Page 10).

Flexible Buttons

All flexible buttons must be programmed for your telephone in system programming and vary for individual telephones. If a button does not appear on your display or telephone keypad label, see your System Administrator for button assignments.

Line Buttons

You may have buttons designated as **Line** and/or **Pooled Line Grp** which enable you to directly access outside Central Office (CO) lines. **Pooled Line Grp** enables you to access available CO Lines from a group of lines appearing under one button.

If your telephone does not have a **Line** or **Pooled Line Grp** button and you want to access outside CO lines, you can use access codes. For a listing of these codes, see [“Access Codes” on Page 107](#).

Directory Number [DN] Buttons

The [DN] buttons consist of: [PDNs], [SDNs], and [PhDNs]. They are used to initiate or answer a call and are known as your extension or intercom number(s). You can have multiple [DN] buttons on your telephone (see [Figure 2](#)), including [DNs] belonging to another telephone, [SDNs].

Incoming calls ring your telephone’s [PDNs] from the top down. For example, incoming calls to Station 10’s [PDNs] first ring the “10-1” button, then “10-2,” and finally “10-3.” Your [PDN] is considered busy only when all of the [PDNs] are being used by your telephone or other telephones, and/or when your telephone is on any type of CO Line or [DN] call.

If you have an LCD telephone, you can find out the actual Directory Number of a [DN] button by pressing the [DN] you want to display and dialing **#407**. The number (**210**) displays.

DN = 210

Table 2 **Directory Button Definitions**

Button	Definitions
[PDN] Primary Directory Number	Press to answer a call to the Primary Directory Number or to initiate a phone call. The [PDN] is specifically your Extension Number or Intercom Number. Your telephone can have up to four [PDN] buttons with your number. You can set Call Forward and Voice Mail ID code for your [PDN].
[SDN] Secondary Directory Number	A [PDN] of another telephone which appears on your telephone is considered a [SDN]. You cannot set Call Forward and Voice Mail ID code for [SDNs] on your telephone.
[PhDN] Phantom Directory Number	Up to eight Phantom Directory Numbers can be dedicated to a station or shared by a group of stations. One example of a Phantom Directory Number application is when it is used as a common phone number for an entire department. For instance, when the [PhDN] appears on a group of telephones, such as the Sales Department, it will ring on all of the telephones of the group when it is called. You can only set Call Forward and Voice Mail ID code for [PhDNs] that are owned by your telephone. You can have a separate message waiting button and mailbox for up to four [PhDNs] on your telephone.

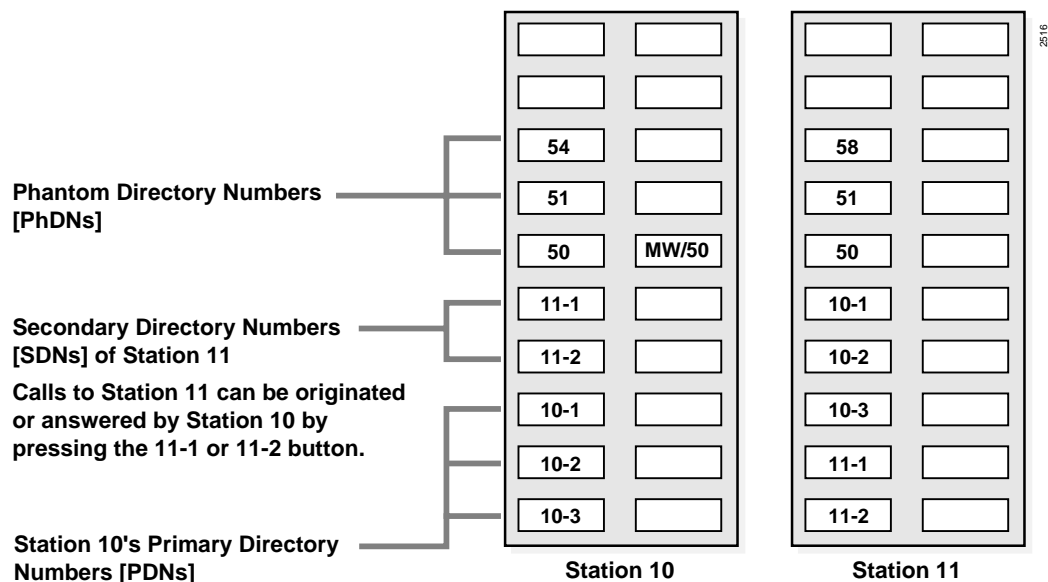


Figure 2 Multiple Directory Numbers Example

Feature Buttons

Preprogrammed feature buttons can be assigned to your telephone and vary for individual telephones. See [Table 17 on Page 113](#) for a list of all the possible feature buttons.

If a button does not appear on your display or telephone keypad label, see your System Administrator for button assignments.

If your telephone has not been programmed for a **Speed Dial** button, you can substitute the * key in any of the procedures that appear in this guide.

LCD

In its idle state, the 32-character LCD feature on your digital telephone gives you an accurate desk clock and calendar combination. When you have an outside call in progress, an elapsed time display gives a constant reminder of the call duration. Alphanumeric messaging capability is also provided (see “[Messages, Memos, and Name Display](#)” on Page 85). All display functions occur automatically as call processing proceeds.

A “+” next to the LCD readout (sample shown at right) on your telephone indicates there is more data in memory. Press **Scroll** to advance through the information. Press **Page** to switch from the CF display to the User Name display.

CF-A 201-203+
JAN 01 TUE 12: 19

All LCD examples in this user guide are shown with Soft Keys turned OFF. If your telephone has Soft Keys turned ON, the displays may be different (e.g., the information on rows 1 and 2 is reversed), but they still enable you to follow the steps in this guide.

LCD Buttons

There are two sets of buttons available with the LCD, Control and Soft Key (see [Figure 3](#)). The Control buttons consist of the Mode, Page and Scroll functions, while the Soft Keys offer access to frequently-used features that appear as abbreviated prompts above the Control buttons.

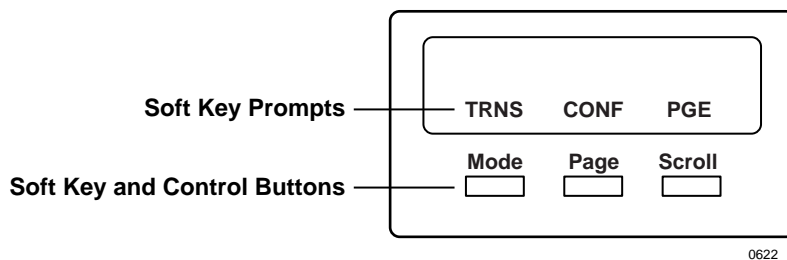


Figure 3 LCD Buttons (with sample Soft Keys)

Both sets of buttons cannot be active at the same time.

- ♦ Soft Keys are active when the Soft Keys are turned on and the telephone is active (on a call).
 - ♦ Control buttons are active when the Soft Keys are turned off and/or the telephone is idle.
- (See [Chapter 3 – LCD Operation](#) for an explanation of how to use these buttons.)

LED Indicators

Each line and feature button has a LED next to it which indicates the status of the line or feature associated with the button.

Line LEDs light red or green and flash at varying rates to indicate call status (see [Table 3](#)).

Table 3 LED Indicators

Use	Your Station (Green)	Other Station (Red)
	Interval Rates	
Line or [DN] In-Use (access outside line)	2 seconds on, 1/8 second off— 1/8 second ON/OFF	steady
Incoming Call (while ringing)	1 second on at 10 pulses/ second—1 second OFF	one second ON/OFF
Hold (outside line) Note If using Pooled Line Grp , the hold indication is only at the station that places the call on hold.	4 pulses/second for 1/8 second ON/OFF	1/2 second ON/OFF
Hold – Consultation (during consultation/transfer to another station)	10 pulses/second	steady
Hold – Exclusive (outside line)	10 pulses/second	steady
Hold – Recall (when held call recalls your idle station)	1 second at 2 pulses/second, 1 second at 10 pulses/second	flashes
Hold – Exclusive Recall	1 second at 2 pulses/second, 1 second at 10 pulses/second	steady
Internal Call (while station ringing)	Your [PDN] flashes 10 pulses/ second—1 second off	[SDN] red flashing or green ringing
Busy Station Transfer (outside call transferred to your busy station from a designated station or AA) After disconnecting first call...	4 pulses/second, 1/8 second ON/OFF	3/4 second on, 1/8 second OFF
	10 pulses/second	2 pulses/second
Alert Signal	.5 seconds	4 seconds
Conference	10 pulses/second	steady

On-hook/Off-hook

Some procedures in this user guide instruct you to perform a step while “on-hook” or “off-hook.” These terms refer to the position of the handset. “Off-hook” indicates that the handset should be lifted off of the telephone cradle. “On-hook” indicates that the handset should remain in the cradle and should not be lifted.

Volume Controls

Your telephone has a volume increase and decrease button for controlling speaker and handset volume levels.

You must hold down either button (**Vol ▲/Vol ▼**) for at least 1/8 second for any volume change to occur. If you continually hold down either button, the volume continually changes about every half second until the level limit is reached. You hear ring tone as long as you press a Volume button when your telephone is idle.

The method for changing feature volume varies. Some features can be adjusted using only the **Vol ▲/Vol ▼** (see [Table 4](#)) and others require additional buttons (see [Table 5 on Page 11](#)).

Table 4 Using only Vol ▲/Vol ▼

Feature	Phone Status	Comments
Ring Tone Volume/Incoming Handsfree Answerback and Speaker OCA	On-hook, Idle	Adjusting the ring tone volume also changes the volume level of incoming Handsfree Answerback and Speaker OCA calls before they are answered by pressing a [DN].
Handset Receiver	Off-hook	After a call is terminated and the handset is on-hook, the volume level returns to the “original” level for the next call. This “original” level can be adjusted to higher/lower in system programming.

Table 5 Using Vol ▲/Vol ▼ with Other Buttons

Feature	Phone Status	Press	Comments
Microphone Sensitivity	On-hook/ Off-hook	While pressing, hold Mic and Vol ▲/Vol ▼ for three seconds.	The Mic LED flashes about six times while setting the sensitivity. When the microphone is set for the lowest or normal sensitivity, the Mic LED lights steady when the telephone is busy on a speakerphone call.
Handset/Headset Call Waiting Tone	On-hook/ Off-hook	While pressing, hold Redial and Vol ▲	The tones are received over the handset/headset and speaker.
	On-hook/ Off-hook	While pressing, hold Redial and Vol ▼	The tones are received over the speaker.
Muted Tone Burst Note Tone sent for Busy or DND Override, Call Transfer with Camp-on, etc.	On-hook	[DN] followed by #6101 then Vol ▲/Vol ▼	You hear the muted tone for 15 seconds or until disconnected by pressing Spkr .
Ringing, Handsfree Answerback, and Speaker OCA.	On-hook	#6102 followed by Vol ▲/Vol ▼	Your phone rings for 15 seconds or until disconnected by pressing Spkr . Enables you to check if you can hear ringing at a distance from your telephone.
Speaker	On-hook, idle	[DN] followed by Vol ▲/Vol ▼	After you press a [DN], you hear dial tone. Adjusts Internal and CO Dial Tone, Background Music.

This chapter lists all the digital telephone features in alphabetical order beginning on [Page 17](#). These features can be performed on 2000-series digital telephones equipped with or without LCDs. Features which require a telephone equipped with a speakerphone are noted.

Before You Begin

If you are a new user of the Strata DK digital telephone, you need to find out if your telephone has been set up for Automatic Line Selection and Ringing Line Preference. You will also need to know if your telephone has tone or voice first signaling when you receive an internal call:

- ◆ Tone Signaling rings.
- ◆ Voice First Signaling does not ring; instead you hear a long tone, then the caller's voice.

Each of these features are enabled in system programming and determine how you will make and answer calls on your telephone.

Automatic Line Selection

You *have* Automatic Line Selection, if you hear dial tone and the [DN], Line, or Pooled Line Grp LED lights steady green. The LCD displays the station number (**201**) and the seized CO line (sample shown at right).

NO. 201 USING LINE 11

- Lift the handset or press **Spkr**.

You do *not* have Automatic Line Selection, if you hear silence.

- Press an available [DN] or **Line** before dialing.

Ringling Line Preference

You *have* Ringing Line Preference, if you can answer a line ringing your station by lifting the handset or pressing **Spkr**. You do *not* have Ringing Line Preference, if you have to press the button associated with the ringing call (flashing LED) to answer the call.

If your telephone does not have Automatic Line Selection, press the flashing [DN] or **Line** first, before using the handset or **Spkr**.

Signaling

If you hear a long tone, followed by a caller's voice, you have *Voice* First Signaling.

- Talk in the direction of your telephone

...or answer the call as you normally would using either the handset or **Spkr**.

If you hear successive ring tones, you have *Tone* First Signaling.

- Lift the handset or press **Spkr**.

Note You can change to the alternate signaling method when making a call on a call-by-call basis by pressing **1** after dialing an internal telephone number.

Quick Reference

The following is a quick reference chart for using your telephone's standard features.

Making an Internal Call

1. Lift the handset or press **Spkr**
...or if you do not have Automatic Line Selection, press a [DN].
2. Dial a directory number (**201**).
3. When finished with the call, hang up or press **Spkr**.

NO. 203 201

Making an Outside Call

1. Lift the handset or press **Spkr**
...or if you do not have Automatic Line Selection, you must also:
press **Line**
...or **Pooled Line Grp**
...or [DN], then enter a CO line or line group access code (see [“CO Line Access Codes” on Page 107](#)).

NO. 203 USING LINE 6

2. Dial the telephone number.

The LED flashes green and the digits are displayed as you dial.

NO. 203 5551374

The display automatically changes from dialed number to elapsed time after a programmed period. After you hang up, elapsed time is displayed for 15 seconds and then changes to date/time display.

NO. 203 00: 13: 23

3. When finished with the call, hang up or press **Spkr**.

Making an Outside Call to an ISDN Trunk

1. Access an outside CO line
2. Dial the number.
3. Press **Start**.

The dialed digits will not be sent until you press this button or until the timer expires. See [“ISDN Outgoing Calling” on Page 46](#) for more information on ISDN calls.

On-Hook Dialing

1. Press **Spkr** (if you have Automatic line selection).
2. Access an outside line and dial a telephone number.
3. Lift the handset when the called party answers.
4. When finished with the call, hang up or press **Spkr**.

Note If you have a full speakerphone, you do not have to lift the handset.

Answering Calls

When you receive an incoming call, the LCD displays either the CO line (10)

... or the station's [PDN] (210).

NO. 203 LINE 10 RINGING

NO. 203 210 CALLING

- Lift the handset or press **Spkr**

...or if you do not have Ringing Line Preference, press the flashing [DN], **Line**, or **Pooled Line Grp** and lift the handset.

The green LED changes from incoming call rate to the in-use rate. Your LCD displays the answered line.

For information on Caller ID/ANI/DNIS LCD displays for incoming calls, see Chapter 3 – LCD Operation

Incoming Call Notification

Muted ringing while you are on a call indicates an incoming call. If another call comes in during the first call, release, transfer, or place the call on hold, then answer the second call.

- Press **Release and Ans**

...or hold down the hookswitch for about one second.

Account Code Calls

Entered before or after a call, Account Codes (i.e., Forced, Voluntary) can be used for a variety of reasons including billing, tracking, and line restriction applications. Account Codes are recorded by the system and can, along with the details of the calls, be printed on a Station Message Detail Recording (SMDR) report.

Forced Account Codes (Verified/Non-Verified)

Some applications require you enter an Account Code, called a Forced Account Code, before dialing a telephone number.

If the system is set for Verified Account Codes, station users must enter specific codes when entering the Forced Account Code(s) or the call does not execute. Verified Account Codes are established in system programming or by designated stations.

➤ To dial using a Forced Account Code Emergency Override of Forced Account Codes

You can bypass Forced Account Code requirements with three emergency numbers, including 911. See your System Administrator for these numbers:

- 1) 911 2) _____ 3) _____

Voluntary Account Codes (Verified/Non-Verified)

Voluntary Account Codes are usually optional. They can be entered after accessing a CO line or during a call, to keep track of the call for client billing purposes.

An exception is a Voluntary Account Code which is required to change the Toll Restriction classification of your station. The code gives you access to telephone numbers outside your usual dialing area and must be entered prior to dialing the telephone number. As an example, if your station is restricted to local area calls, you can make out-of-state calls by using a Voluntary Account Code set in system programming.

If the system is set for Verified Account Codes, station users must enter specific codes when entering the Voluntary Account Code(s) or the code is not validated for the SMDR call report.

➤ **To dial using a Voluntary Account Code**

1. After accessing a CO line, press **Account Code**
...or **Speed Dial + 50**

...or ***50** if your telephone does not have a speed dial button.

2. Enter the Account Code.

3. Dial another account code by repeating Steps 1 and 2.

4. Dial a telephone number.

Your conversation is not interrupted.

Note If the Voluntary Account Code is not required to dial out, the account code can be entered during a call.

NO. 204 ENTER ACCT CODE
--

When your station is set for Verified Account Codes, you hear a half second confirmation tone if the code is valid.

The outside party is not able to hear any tones (e.g., confirmation tones) when the Account Code digits are being entered. If your station is programmed not to verify Account Codes, you do not hear a confirmation tone.

If the code is invalid, you hear two short tones.

NO. 204 CODE VERIFIED
--

NO. 204 CODE NOT VALID

The last code entered is recorded.

Any digits dialed after the code is entered in Step 2 is treated as part of a telephone number.

Alarm Reset

Your Strata DK system can be connected to a facility alarm system. All telephones produce a startling tone whenever this alarm is activated.

➤ **To reset the alarm**

- Press **Alarm Reset**.

Alert Signaling

Alert Signaling enables you to send an alert sound to a predesignated (partner) station by pressing a single button. This feature is based on the “buzz” key, where, for example, a manager might alert his/her administrative assistant to enter the office.

You can have as many as four **Alert Signal(s)** to send or receive an Alert Signal to/from other telephones. An Alert Signal is sent even if the alerted telephone is busy (on/off-hook) or in the DND or Call Forward mode.

► To send an Alert Signal

- Press **Alert Signal**. An alert tone sounds at the designated station.

Attendant Console Calling

Up to four Attendant Consoles can be installed per system. There can be up to three ways to call the Attendant Console, depending upon system programming.

► To call any attendant console

- Press a [DN] + **0**.

The call rings the Attendant Console’s **0** button. Dial **0** calls rotate between the consoles if more than one console is installed.

► To call a specific console

- Press a [DN] + the console’s [DN].

The call rings the console’s **In-DN** (incoming [DN] button). Your System Administrator can provide the Attendant Console(s) **In-DNs**.

► To call all consoles for an emergency

- Press a [DN] + the emergency access code **#400**.

The call rings the **Emgr** button on all attendant consoles.

Automatic Busy Redial (ABR)

After reaching a busy outside number, you can activate ABR so that the Strata DK system automatically redials the number at regular intervals. If the system redials an outside number that is still busy, ABR resets and tries again. This feature may not be allowed on some (or all) lines in your system—depending on the telephone line type connected.

ABR is not attempted while your station is busy, but continues to time-out. The system inserts a pause (**P**) on your LCD before redialing the number.

NO. 202 P555 3700

► To activate ABR

- | | | |
|---|--|----------------------------------|
| <ol style="list-style-type: none"> When you reach a busy number, press Auto Busy Redial
...or Cnf/Trn + #44. | <p>The LED flashes red.</p> <p>You hear confirmation tone.</p> | |
| <ol style="list-style-type: none"> Hang up
...or press Spkr. | <table border="1"> <tr> <td> NO. 202
 ABR SET </td> </tr> </table> | NO. 202
ABR SET |
| NO. 202
ABR SET | | |
| <ol style="list-style-type: none"> The system redials, up to 15 times, every 30 or 60 seconds (depending on system programming). | | |
| <ol style="list-style-type: none"> Your telephone receives ring tone, when ABR dials the number and it is available. | <p>The [DN] or Line and Spkr LEDs flash green.</p> | |
| <ol style="list-style-type: none"> Lift the handset or press Spkr and wait for the party to answer. | <p>If you do not pick up the handset or press Spkr within 30 seconds after a connection is made, you hear a muted ring for another 30 seconds, then the call disconnects.</p> | |

► **To cancel ABR**

- Press **Auto Busy Redial**

...or [DN] + **#44**.

Automatic Callback (ACB)

After reaching a busy/DND station, you can set ACB to have the system call you back when the called station becomes available. You can also set ACB to place you in a queue for an available CO line, if you reach a line group in which all lines are busy.

► **To set ACB**

1. After reaching either a busy/DND station or CO line, press **Auto Callback** ...or **4**.

You hear busy tone, followed by dial tone (two secs.), then busy tone.

NO. 204
INT 210 ACB SET

When you set ACB at a busy station, its number (**210**) displays.

When you set ACB at a busy line group, its access code number (**801**) is displayed.

NO. 204
INT 801 ACB SET

2. Hang up ...or press **Spkr**.

You can make other calls while waiting for the called station/line to become available.

3. Your telephone rings at a fast rate when the called station or CO line becomes idle.

For busy/DND station: the [DN] LED flashes green (incoming call). The station number you called (**210**) displays.

NO. 204
210 ACB

For busy CO line: the [DN] LED from which you attempted to first access the line flashes red (incoming call rate). The seized line's number (**3**) displays.

NO. 204
LINE 3 ACB

4. Answer within three rings to prevent the callback from being cancelled.

After you answer, you hear a single tone, and the LED flashes green (in-use).

If you hear a busy tone after answering a callback, the called party is already on another call or the line has already been seized or has received an incoming call. Your request is not cancelled. You will be called again the next time a line becomes idle.

5. If you were attempting to make an outside call and did not use LCR, you must now redial the telephone number.

If the original call was made using LCR, the telephone number is automatically dialed.

► **To cancel ACB (to busy or DND station)**

- Press **Auto Callback** or [DN] + **#43**.

Automatic Hold

Automatic Hold enables you to automatically place a call on hold by pressing another outside **Line** or a [DN] button—there is no need to press **Hold**. You can also switch between calls without having to press **Hold**. Your telephone must be programmed for this feature, otherwise existing calls drop if you do not press **Hold** before answering or making another call.

► **To use Automatic Hold**

- While on a call, press another **Line** or [DN] to receive/originate a new call. The LED of the accessed line flashes (in-use). The first call is put on hold and the LED flashes (on-hold).

► **To switch between calls**

- Press **Line** or [DN] of the held call. The LED of the line just accessed flashes (in-use). The LED of the Line or [DN] placed on hold flashes (on-hold).

BGM Over Telephone Speakers

BGM over external speakers is controlled by the System Administrator. If BGM is enabled, you can turn it ON/OFF for your individual station speaker.

► To enable/cancel BGM on your telephone speaker

- Press **Tel Set Music** to toggle BGM ON/OFF.

...or press a [DN] + **#481** + **Spkr** to turn BGM ON and press a [DN] + **#480** + **Spkr** to turn it OFF (ignore busy tone after dialing **#481** and **#480**).

Call Forward

If your telephone has more than one [DN], you can assign Call Forward destinations for each [DN] on your telephone (up to one [PDN] and eight [PhDNs]). Each [DN] can be independently set for a different Call Forward feature. Call Forward must be set before the call is received and has priority over the Station Hunt feature.

To set call forward from a [PDN] or [PhDN]:

- ◆ You must set the call forward from your telephone.
- ◆ Your telephone must be programmed as the owner of the [PDN] or [PhDN].

Note If you hear a re-order tone when following any of the Call Forward steps, your telephone is not the owner of the [PDN]/[PhDN].

If Call Forward is set, the following calls to your station forward (except in Call Forward-External mode):

- ◆ Internal calls (Handsfree and OCA calls optionally may or may not)
- ◆ Auto Attendant calls
- ◆ CO lines calls that ring only your station
- ◆ Transferred CO line or station calls

CO lines that ring more than one station do not forward.

Call Forward Modes

You can set your telephone [PDNs] or [PhDNs] for a variety of Call Forward modes:

- ♦ **Call Forward—All Calls** forwards all calls immediately; your telephone does not ring when called.
- ♦ **Call Forward—Busy** forwards calls immediately when your station, [PDN], or [PhDN] is busy or in the DND mode.
 - ♦ On “tone-first” systems, if your [PDN] appears on more than one button on your telephone, Call Forward Busy forwards calls only when all [PDN] buttons are in use; if there is an idle [PDN], it flashes or rings when called.
 - ♦ On “voice-first” systems, Call Forward Busy forwards all calls any time your telephone is in use.

Note

Call Forward-All Calls, Call Forward-Busy, Call Forward Busy-No Answer, and Call Forward-No Answer can be set with the touch of one button. see [“Feature Access Codes” on Page 62](#).

- ♦ **Call Forward—No Answer** forwards all calls to your station if you fail to answer within a designated time (set by you when you enable the feature). Your station can be programmed to bypass Call Forward-No Answer when receiving Voice First (handsfree) calls. Callers can activate voice first or OCA by dialing **1** during their voice announcement.
- ♦ **Call Forward—Busy/No Answer** forwards all calls to your station immediately whenever you are busy, in the DND mode, or after ringing and you do not answer the call within a designated time (set by you when you enable the feature). Your station can be programmed to bypass Call Forward/No Answer when receiving Voice First (handsfree) calls. Callers can activate ringing and Call Forward by dialing **1** during their voice announcement.
 - ♦ On “tone-first” systems, if your [PDN] appears on more than one button on your telephone, Call Forward Busy forwards calls only when all [PDN] buttons are in use; if there is an idle [PDN], it flashes or rings when called.
 - ♦ On “voice-first” systems, Call Forward Busy forwards all calls any time your telephone is in use and/or any time all of your [PDNs] are in use by other telephones.
- ♦ **Call Forward—Fixed** forwards immediately to a station or voice mail device set in system programming all internal, private or DID CO line calls to your station. Your station does not ring when called. Your station must be assigned with the **Call Forward to:** button in system programming to activate this feature.

- ♦ **Call Forward—External** forwards new incoming calls directed to your [PDN] to a destination outside of the system. [PhDNs] assigned to your telephone do not call forward to external destinations. Internal calls and transferred calls to your [PDN] also do not forward to external destinations.

Only incoming calls over CO lines dedicated to immediately ring your [PDN], the private CO **Line** button, and/or DID line, call forward externally. Any of the other Call Forward modes can be set for your [PDNs] or [PhDNs] simultaneously with Call Forward-External.

Using Call Forward Buttons

If your telephone has been system programmed for a Call Forward button, you can use one of the following Call Forward buttons to set the feature for a [PDN]: **Call Frwd All Calls**, **Call Frwd Busy**, **Call Frwd No Answer**, **Call Frwd Busy/NAns**, **Call Forward External**, and **Call Forward to:** (Call Forward–Fixed feature).

Using Access Codes

If your telephone has not been programmed for Call Forward buttons or you are forwarding a [PhDN], you must use access codes to set the Call Forward feature.

LCD Telephones

The LCD on your telephone provides you with call forwarding information.

Make CF Call

When you call a [DN] that is forwarded [203], the [DN] you called is shown first.

NO. 201 203

The display changes to the [DN] where your call forwarded (**210**).

NO. 201 210

Receive CF Call

When a call is forwarded to your [DN] (**210**), the calling [DN] (**205**) is displayed on the left and the [DN] called is displayed on the right [203].

NO. 201 205 CALL 203

Note

The LCD examples shown in the following sections are identical to those on your telephone's LCD. At times, the entries on the display will scroll off the LCD and only portions of the entries will remain.

Call Forward—All Calls

<p>1. Press Call Frwd All Calls ...or [PDN]/[PhDN] + #601.</p>	<p>The LED flashes red. You hear confirmation tone after #601 is dialed.</p>	<p style="text-align: center;">NO. 201 CALL FORWARD TO</p>
<p>2. Enter the destination [DN].</p>		<p style="text-align: center;">NO. 201 CALL FORWARD TO 203</p>
<p>3. Press Call Frwd All Calls ...or Spkr (if access code used).</p>	<p>The LED lights steady red and calls forward to the stored directory number [203].</p>	<p style="text-align: center;">CF-A 201-203 JAN 01 TUE 12: 19</p>

► To cancel a Call Forward—All Calls

- Press **Call Frwd All Calls + Spkr**
...or [PDN] + **#601 + Spkr**.

Call Forward—Busy

<p>1. Press Call Frwd Busy ...or [PDN]/[PhDN] + #602.</p>	<p>The LED flashes red. You hear confirmation tone after #602 is dialed.</p>	<p style="text-align: center;">NO. 201 CALL FORWARD TO</p>
<p>2. Enter the destination [DN].</p>		<p style="text-align: center;">NO. 201 CALL FORWARD TO 203</p>
<p>3. Press Call Frwd Busy ...or Spkr (if access code used).</p>	<p>The LED lights steady red and calls forward to the stored directory number [203].</p>	<p style="text-align: center;">CF-B 201-203 JAN 01 TUE 12: 19</p>

► **To cancel a Call Forward—Busy**

- Press **Call Frwd Busy + Spkr**

...or [PDN] + **#602 + Spkr.**

Call Forward—No Answer

<p>1. Press Call Frwd No Answer ...or [PDN]/[PhDN] + #603.</p>	<p>The LED flashes red. You hear confirmation tone after #603 is dialed.</p>	<p>NO. 201 CALL FORWARD TO</p>
<p>2. Enter the destination [DN].</p>		<p>NO. 201 ALL FORWARD TO 203</p>
<p>3. Press Speed Dial. Note Skip this step, if you pressed Call Frwd No Answer in Step 1.</p>	<p>The pre-set time delay for calls forwarding is 12 seconds.</p>	<p>NO. 201 ALL FORWARD TO 203*</p>
<p>4. Enter the time delay (08~60) seconds. Note Skip this step if you do not want to change the time.</p>	<p>The LCD displays the amount of time entered (16).</p>	<p>NO. 201 _ FORWARD TO 203*16</p>
<p>5. Press Call Frwd No Answer ...or Redial, then Spkr (if access code was used in Step 1).</p>	<p>The LED lights steady red and calls forward to the stored directory number [203].</p>	<p>CF-NA 201-203 JAN 01 TUE 12: 19</p>

► **To cancel a Call Forward—No Answer**

- Press **Call Frwd No Answer + Spkr**

...or [PDN] + **#603 + Spkr.**

Call Forward—Busy/No Answer

<p>1. Press Call Frwd Busy/NAAns ...or [PDN]/[PhDN] + #604.</p>	<p>The LED flashes red. You hear confirmation tone after #604 is dialed.</p>	<p style="text-align: center;">NO. 201 CALL FORWARD TO</p>
<p>2. Enter the destination [DN].</p>		<p style="text-align: center;">NO. 201 ALL FORWARD TO 203</p>
<p>3. Press Speed Dial.</p> <p>Note Skip this step, if you pressed Call Frwd Busy/NAAns in Step 1.</p>	<p>The pre-set time delay for calls to ring before forwarding is 12 seconds.</p>	<p style="text-align: center;">NO. 201 ALL FORWARD TO 203*</p>
<p>4. Enter the time delay (08~60) seconds.</p> <p>Note Skip this step, if you do not want to change the time.</p>	<p>The LCD displays the amount of time entered (16).</p>	<p style="text-align: center;">NO. 201 L FORWARD TO 203*16</p>
<p>5. Press Call Frwd No Answer ...or Redial, then Spkr (if access code used in Step 1).</p>	<p>The LED lights steady red and calls forward to the stored directory number [203].</p>	<p style="text-align: center;">CF-BN 201-203 JAN 01 TUE 12: 19</p>

➤ **To cancel a Call Forward—Busy/No Answer**

- Press **Call Frwd Busy/NAAns + Spkr**
...or [PDN] + **#604 + Spkr**.

Call Forward—Fixed

- Press **Call Frwd to:** The LED lights steady red and all calls forward to a station [PDN] or voice mail device set in system programming.
...or press **Call Frwd to:** a second time to cancel the feature.

Call Forward—External

1. Store the destination number at Station Speed Dial location Code 49.

Only perform Step 1 the first time Call Forward-External is set or when you change the destination. It is not necessary to store the destination each time; it remains in system memory.

2. To set CF-External, press **Call Frwd External**
...or the [PDN] + **#670**.

This feature enables you to forward new incoming calls directed to your [PDN] to a destination outside of the system. [PhDNs] assigned to your telephone do not Call Forward to an external destination. Internal calls and transferred calls to your [PDN] do not forward to external destinations.

Only incoming calls over CO lines dedicated to immediately ring on your [PDN], private CO **Line** button, and/or Direct In Dial line calls forward. Any of the other Call Forward modes can be set for your [PDNs] or [PhDNs] simultaneously with Call Forward-External.

Use the Speed Dial storage procedures detailed on [Page 59](#). When forwarding to an outside destination include the CO Line (or CO Line group) access code before the telephone number.

Example: 8015833700

801 = CO Line access code
5833700 = Telephone number

See [Table 12 on Page 107](#) for CO Line/Line Group access codes. The LCR access code “9” cannot be used.

Incoming calls forward to the destination stored at Station Speed Dial Location 49.

➤ To cancel a Call Forward—External

- Press **Call Frwd External**
...or [PDN] + **#670** + **Spkr**.

Remote Destination Change

If Call Forward-External mode is set at your station, you can change the forwarding destination from a telephone outside of the system.

► To change the destination number

- | | |
|---|--|
| <p>1. Call into the DK system over a CO line programmed for the DISA feature.</p> | <p>You hear ringback tone signal, then internal dial tone for 10 seconds.</p> <p>Try again if you hear busy tone.</p> <p>Note See the System Administrator for DISA telephone numbers.</p> |
| <p>2. After you receive dial tone, press #670 then dial your [PDN].</p> | <p>You hear a confirmation tone.</p> <p>If a number is not dialed, the system automatically makes the DISA CO line ring as a normal incoming call. Then, if the call is not answered within 15 seconds after the ringing starts, it disconnects.</p> |
| <p>3. Enter the Remote Call Forward-External security code.</p> | <p>You hear a confirmation tone. See the System Administrator for the security code which is assigned to your telephone in system programming.</p> |
| <p>4. Enter the new destination number. You can enter an internal number, Voice Mail number or, a CO line access code plus an external telephone number. With some systems, you can dial a line group code instead of a CO line number access code. (See Appendix A—Table 1 for access code information.)</p> | |
| <p>5. Press #.</p> | <p>You hear a confirmation tone.</p> |

Call Park Orbits

The Call Park feature enables you to hold a call temporarily in an orbit (the area where the call is held). Anyone can retrieve the call from the orbit using the same or a different station. There are 20 General Park Orbits for the system and 1 Personal Park Orbit for each station.

Once you have parked a call in an orbit, you can:

- ◆ Hang up and retrieve the parked call at a later time
- ◆ Originate another call
- ◆ Access a voice paging device to announce the parked call for pickup from another station

If you park a call and it is not retrieved the following occurs:

- ◆ If your station is idle when the system Call Park recall timer expires, the parked call automatically recalls to your station.
- ◆ If your station is busy, the parked call camps-on.

If you have an LCD telephone, you can let the system automatically select an available orbit number which displays on your LCD. To monitor the calls parked at your station, see “[Call Park Orbit List Display](#)” in [Chapter 3 – LCD Operation](#).

► To park a call

1. While on a call, press Park in Orbit ...or Cnf/Trn + #332 .	The LED flashes green (consultation-hold).	ENTER ORBIT NO RTRN
2. Enter a General Orbit Number (900~919) or a valid [PDN] ...or if you have an LCD, press 999 .	The call is parked and the CO line flashes (Hold), or the [DN] LED turns OFF. The system parks the call on the lowest vacant Orbit Number.	
3. Hang up.	The caller’s extension or Line number and the orbit number are shown.	6793 PK ORBIT 900
	If the parked call is not retrieved within a specified time, the call rings back to your phone.	LN 2 ORBIT 900

When a parked call recalls your phone, the LCD shows the line or [DN] that is recalling and the orbit number.

L 2 PK ORBIT 900

➤ **To retrieve a parked call**

1. Press **Park in Orbit**
...or [DN] + **#332**.
2. Enter the Orbit Number where the call is parked.

[DN] can be [PDN], [SDN] or [PhDN].

The [DN] LED flashes at the in-use rate when the call is retrieved.

Call Park and Page

You can use the Park feature in conjunction with the Page feature. This operation can be programmed on a **Speed Dial** button for one-touch activation (See [“Feature Access Codes” on Page 62.](#))

➤ **To park and page a call**

1. While on a call, press **Park and Page**
...or **Cnf/Trn** + **#331**.
2. Enter a General Orbit Number (**900~919**) or a valid [PDN]
...or if you have an LCD, press **999**.

The LED flashes green (consultation-hold).

HOLD LINE 2 ENTER ORBIT NO.

The call is parked and the CO line flashes (Hold), or the [DN] LED turns OFF.

The system parks the call on the lowest vacant Orbit Number.

3. Enter a [DN] or a Page Group or Zone access code (see [Tables 13 and 14](#) on [Pages 108 and 109](#), respectively).

After you enter an Orbit Number, a short burst of dial tone prompts you to enter the Page access code.

The LCD shows the **999** Auto Park entry.

HOLD LINE 2 999

The LCD shows the Line being held and its orbit number. Example: Line 2 is held on orbit **900**.

HOLD LINE 2 L 2 ORBIT 900

4. Make your announcement (include the Orbit Number).
5. Hang up to free the paging device.

If the parked call is not retrieved within a specified time, the call rings back to your phone.

PARK ORBIT 900 HOLD

When a parked call recalls your phone, the LCD shows the line or [DN] that is recalling and the orbit number.

L 2 PK ORBIT 900

Call Pickup

You can pick up a call that is ringing another station's [PDN] or [PhDN], a call placed on hold at another station and other types of calls.

When you pick up an internal call, the calling station **[200]** displays on the left and the called station **[201]** displays on the right.

NO. 204 200 CALL 201

If your call is picked up by another station, the LCD shows that your call to station **[200]** was picked up by station **[201].zz**

NO. 204 200 PICKUP 201

[DN] Pickup

Picks up ringing or held Directory Numbers.

- Press [DN] + **#5#2** + [PDN] or [PhDN] that you want to pick up.

Directed Call Pickup

This feature enables you to pick up calls ringing in, or calls held at other stations.

► To use directed call pickup

<ol style="list-style-type: none"> 1. Press Directed Pickup ...or [DN] + #5. 	<p>The directed [PDN] is the Primary Directory Number of the station that has the ringing or held call that is to be picked up.</p>
<ol style="list-style-type: none"> 2. Dial directed [PDN]. 	<p>If more than one call is on hold, the call on the telephone's lowest button number is picked up. Ringing calls are picked up over held calls as a priority.</p>

► To pick up a ringing CO line in a tenant system

<p>► Press Directed Pickup 1~4 ...or [DN] + #59.</p>	<p>You are connected to a incoming CO line call for a Tenant Group (1~4).</p>
	<p>Notes</p> <ul style="list-style-type: none"> • In non-tenant systems, Directed Pickup1 picks up any ringing CO line. • This feature does not pickup held lines or transferred CO lines that are ringing; use Directed Call Pickup.

Group Pickup

Stations can be assigned in system programming to Pickup Groups. As many as 20 groups can be created to enable you to easily pick up incoming (new or transferred) or internal calls that are ringing stations that are in your group or in other groups. This feature does not pickup held calls. You may belong to more than one group. See your System Administrator for group assignments.

Calls Ringing Within Your Group

- Press **Group Pickup** or a [DN] + **#5#34**. You are connected to the call.

Calls Ringing to Other Groups

<ol style="list-style-type: none"> 1. Press [DN]. 	<p>You hear dial tone.</p>
--	----------------------------

2. Enter **#5**, then the access code (**#320~#339**) of the group to which the station belongs.

You are connected to the call. If the called station belongs to more than one group, any of the Group Pickup codes associated with those groups pickup the call.

Page/Internal Call Pickup

This feature picks up Internal (station to station), Group Page, and All Call Page calls. If these types of calls occur at the same time, the pickup priority is station-to-station and then Page calls in the order of occurrence. In some systems this feature can be applied to pickup All Call Page exclusively.

► To pickup a page or internal call

1. Press [DN].

You hear dial tone.

2. Enter **#5#30**.

You are connected to the caller who originated the internal or page call. The page circuit is released.

Call Transfer with Camp-on

You can transfer calls to idle or busy [DNs], Hunt Group Numbers, ACD Group [DNs], etc. You cannot transfer (or camp-on) to a station's [PDN] or [PhDn] if the station is in the DND mode, unless the station's [PDN] or [PhDN] appears on other stations.

► To transfer a call

1. While on a call, press **Cnf/Trn**.

The Line or [DN] LED flashes green (conference rate). You hear internal dial tone.

2. Dial the [DN] where the call will be transferred.

The CO line rings the called station. If you hear a single tone, you can then announce the call over the called telephone's speaker. (If you hear ringing tone, the call was made with Tone Signaling.)

3. If the station is idle, announce the call and hang up

...or if the station is busy or does not answer, hang up

The Line LED flashes green (on-hold). If you transferred the call from a [DN], the [DN]'s LED turns off. The CO line or [DN] camps on to the called station and the called station receives a warning tone. The camped-on call rings when you hang up.

...or to reconnect to the transferred line before it is answered, press the flashing **Line** or [DN] + **#42**.

The Line LED is a steady red when the called station answers the transferred call.

NO. 204 CAMP-ON 4

If the call is not answered after a specified Recall time set in system programming, camp-on is cancelled and the transferred call rings back (when your station or [DN] is idle or sends two tone bursts if your telephone is busy).

HOLD LINE 2 LN 2 RECALL 203

The LCD shows the CO line number and the station number [203] where it was originally transferred.

Call Waiting

You can answer a call that is transferred to your station, even when your station is busy. When another call is camped onto your station, you hear two camp-on tone beeps and the [DN] or Line LED flashes red (on-hold).

If a call is sent to your station when busy, and your station does not have a [DN] or **Line** button available to receive the call, two camp-on tone beeps are sent to your telephone. You must disconnect or transfer the existing call to answer the waiting call.

► To answer a waiting call by placing the current call on-hold

► Press **Hold**

The existing call is placed on-hold. The camped-on line rings your station (the Line LED flashes green - incoming call).

...or if your telephone has the Auto Hold feature, just press the flashing [DN] or **Line**.

You are connected to the transferred call. The [DN] or Line LED flashes green (in-use).

Note See your System Administrator to find out if you have Auto Hold.

➤ To answer a waiting call by disconnecting or transferring the current call

- Hang up or transfer the existing call; the camped-on call rings your station

The existing call disconnects or transfers. The camped-on line rings your telephone and the Line LED flashes green (incoming call).

...or press the flashing [DN] or **Line**.

This disconnects the current call and connects you to the transferred call. The [DN] or Line LED flashes green (in-use).

Conference Calls

This feature enables you to add other parties to an existing call. (If you have an LCD telephone, you can use Soft Keys to make a conference call.) The following conferencing configurations are possible:

- ♦ up to two stations and two CO lines
- ♦ up to three stations and one CO line
- ♦ up to four stations

➤ To make a conference call

1. While on a call, press **Cnf/Trn**.
2. Dial a [DN] or access a CO line and dial the telephone number.
3. When the called party answers, press **Cnf/Trn**.

You hear dial tone and the [DN] or Line LED flashes green (conference-rate).

All parties are conferenced. If the second call was placed on a [DN] or CO line that appears on your telephone, the LED also flashes green at the in-use rate.

4. Repeat the procedure to add other CO lines or [DNs], remembering not to try and exceed the allowed number.

Notes

- If you receive a busy tone or no answer, press **Cnf/Trn** to return to the original connection.
- The new station is not conferenced unless its user lifts the handset or presses a [DN] to answer.

Date/Time/Day Adjustment

This feature is performed from a designated station. See the *System Administrator's Guide* for instructions.

Direct Inward System Access (DISA)

Outside callers with telephones that send Dual-tone Multi-frequency (DTMF) tones can call in on CO lines programmed for DISA and dial a [DN] or outgoing CO line without going through an attendant or operator. See the System Administrator for this number.

DISA Calls - Internal

- | | |
|---|---|
| <ol style="list-style-type: none">1. From outside the system, dial the DISA CO line telephone number. | <p>You hear a ringback tone signal, then an internal dial tone for 10 seconds.</p> <p>If you do not dial within 10 seconds, the system automatically causes the DISA CO line to ring a telephone or group of telephones designated in system programming. Then, if the call is not answered within 15 seconds after the ringing starts, it disconnects.</p> |
|---|---|

- | | |
|--|---|
| 2. When you hear dial tone, dial a [DN]. | You hear ring tone. When the station answers, you are connected. |
| 3. If you receive busy tone or want to dial another number while the station is still ringing, press *. Repeat Step 2. | If the call is not answered after 6 rings or 24 seconds, (whichever comes first) you hear busy tone.

To call another station after completing a DISA station call, the internal party must transfer you. Station and System Page cannot be accessed on DISA calls. |

DISA Calls - External

- | | |
|--|---|
| 1. From outside the system, call the DISA CO line telephone number. | You hear a ringback tone signal, then an internal dial tone for 10 seconds.

If you do not dial within 10 seconds, the system automatically rings the DISA CO line as a normal incoming call. Then, if the call is not answered within 15 seconds after the ringing starts, it disconnects. |
| 2. When you hear dial tone, dial a CO line or CO line access code

...or dial a CO line or CO line access code and then a DISA security code. See Table 12 on Page 107 access codes. | You hear dial tone. If you do not hear dial tone, you must also dial a DISA security code.

You hear dial tone.

Note See the System Administrator for the DISA security code number. If the correct code is not entered, the call disconnects. |
| 3. When you hear dial tone, dial a telephone number. | If set in system programming, both parties hear a warning tone approximately 4, 10, or 20 minutes after the call was made. Press 0 to reset the timer each time the tone sounds (for an additional 4, 10, or 20 minutes). If you do not press 0 , the call disconnects approximately one minute after the tone. |

Direct Station Selection (DSS) Buttons (Hotline)

This optional feature enables you to use a **DSS** button to connect directly to another station's [PDN]. The DSS LED shows the status (idle/busy) of the station and/or the station's [PDN]. For example, a station's DSS button LED shows busy (light steady red) when the station is:

- ◆ busy on a call on any button or is in the DND mode.
- ◆ idle but all appearances of the station's [PDN] are in use by other stations.

► To connect directly to another station's [PDN]

1. When connected to a CO line or another station, press **DSS**.
2. Announce the call
...or transfer the call by hanging up or pressing **Release and Ans**.

The original party is put on-hold. You can call a station even if the DSS LED shows busy (steady red).

Note You can transfer the call to an idle or busy station.

Do Not Disturb (DND)

If your station is in the DND mode, internal, external and transferred calls do not ring your station and OCA calls are denied. You can continue to make calls while in the DND mode.

If your [PDN] or [PhDN] appears on other stations, calls to your [PDN] or [PhDN] flash on your station and flash or ring the other stations. This enables your calls to be answered at the other stations (or yours), even while your station is in the DND mode.

Your "alert partner" telephone can override DND and signal your telephone by pressing **Alert Signal**. Telephones with DND Override can also call and mute ring your telephone.

► To activate/deactivate DND

- Press **Do Not Disturb**. The LED lights steady red and DND mode is activated.
...or press it again to toggle the feature off.

Notes

- Calls forward from your station immediately while in the DND mode, if it is set for Call Forward-Busy or Call Forward-Busy/No Answer.

- If you press **Do Not Disturb** while a call is ringing, the ringing stops. The LED continues to flash.

Door Lock(s)

Your telephone may have up to five **Unlock Door** button(s), which enables you to unlock a door.

Door Lock Button	Location
Unlock Door 0	
Unlock Door 1	
Unlock Door 2	
Unlock Door 3	
Unlock Door 4	

► To unlock a door

- Press **Unlock Door**. The door unlocks for three or six seconds (set in system programming). The Unlock Door LED is lit while the door is unlocked.

Door Phone(s)

Door phones can be used to call digital/electronic telephones selected in system programming. When a door phone calls, you hear a distinctive ringing tone, one or five times (set in system programming). You can also call a door phone and monitor the surrounding area.

The number of possible door phones vary by Strata DK system, with up to 12 as the maximum for larger systems.

LCD telephones display the door phone ID when calls are made to/from door phones (e.g., door phone 1A). The ID enables you to know the door phone [DN]. For example, door phone 1A corresponds to Door Phone [DN] **#151**, 1B to **#152**, etc. Door phone IDs and the corresponding [DNs] are shown in [Table 6](#).

NO. 204
DOOR PHONE 1A

Table 6 Door Phone Lock IDs/Locations

Door Phone [DNs]	Door Phone ID	Location	Door Phone [DNs]	Door Phone ID	Location
#151	1A		#157	3A	
#152	1B		#158	3B	
#153	1C		#159	3C	
#154	2A		#161	4A	
#155	2B		#162	4B	
#156	2C		#163	4C	

► To answer a door phone call

1. Lift the handset.

If you lift the handset while the door phone is still ringing, the [DN] LED flashes green (in-use) and you are connected to the door phone.

2. If not connected yet, dial the door phone [DN].

If you have an LCD telephone, see [Table 6](#) for the [DN].

...or to pick up door phone calls ringing someone else's phone, press [DN] + **#5#30**.

Note **#5#30** access is a system option that may not be turned on for your system.

► To call/monitor a door phone

1. With the handset off-hook, press a [DN].
2. Dial the [DN] for the desired door location.

You hear dial tone and the LED flashes green (in-use).

If you have an LCD telephone, see [Table 6](#) for the [DN].

A two-way talk-path exists between your telephone and the called door phone. You can audibly monitor the area around the door phone.

Note Door phone [DNs] can be stored on **SD** buttons. See [“Feature Access Codes” on Page 61](#).

► To call from a door phone

1. Press the door phone button and then release it.
2. When answered, speak at a normal voice level in the direction of the door phone.

You hear a distinctive ringing tone—one or five times (set in system programming).

DTMF Tone Dialing with * and

You may have to send * and # DTMF tones to some devices or services, such as a voice mail device or computer output service. DTMF tones are automatically enabled on stations with **Speed Dial**. If you do not have **Speed Dial**, you must first dial *, # to enable these tones.

This feature disables the Speed Dial feature during the call. Speed Dial is restored when you complete the call or place it on hold.

► To output * and # DTMF tones on a telephone without a **Speed Dial** button

- While on an outside call, press *, then #. You can now output * and #, DTMF tones, and digits 0~9 for the duration of the call. This procedure must be repeated on each call where you require such output.

Emergency Ringdown/Hotline Service

The Emergency Ringdown or Hotline Service feature enables standard telephones to automatically ring a designated extension by going off-hook. Digital telephones cannot perform this feature, but they can *receive* Emergency Ringdown or Hotline Service from standard telephones.

Emergency Ringdown is used in healthcare facilities, where it is used to assist callers who may not be able to complete a call by dialing. An example of an incoming Emergency Ringdown call is shown on the right. The calling [DN] and “Ringdown” displays whether soft keys are ON or OFF.

205 CALLING RINGDOWN

This same feature is also known as Hotline Service and is often used for telephones in hotel/motel lobbies.

Group Listening

This feature enables you to set your telephone so that you and people near your telephone can hear the called party over the speaker, but the called party can not hear you. You can alternate between parties as long as the handset is off-hook.

► To activate group listening

- While off-hook on a call, hold down **Spkr**. The Spkr LED lights red.

► To deactivate group listening

- Release **Spkr**. The Spkr LED turns OFF. You can talk to the party through the handset.

Handsfree Answerback

You can talk back to internal or incoming Tie Line calls without lifting the handset.

► To receive a handsfree internal call

- | | |
|---|---|
| 1. You hear a single long tone, followed by the caller's voice. | The LED flashes green (incoming call). The Mic LED lights steady red, indicating your microphone is active. The Spkr LED flashes red. |
|---|---|

- | | |
|---|--|
| <ol style="list-style-type: none"> 2. Do not lift the handset; speak toward the telephone in a normal voice level. | <p>If you have a speakerphone, you will have better performance if you press the called [DN] button first.</p> |
|---|--|

Notes

- A [DN] must be pressed (or the handset must be taken off-hook) to actually answer the call. This is necessary before transferring or placing an internal call on hold.
- You can press **Vol ▲** or **Vol ▼** to control the volume of the Handsfree Answerback caller's voice and ring tone. See Chapter 1—The Grand Tour for more information on volume control.

Handsfree Monitoring

Calls placed on hold by an outside party may be monitored handsfree. This feature frees you from having to hold the handset to your ear until the outside party returns to the call, enabling you to take care of other tasks in the meantime.

► To use handsfree monitoring

<ol style="list-style-type: none"> 1. While on an off-hook call, press and hold Spkr. 2. Place the handset on-hook. 3. Release Spkr. 4. Lift the handset when the party returns. 	<p>The Spkr LED lights red.</p> <p>The Spkr LED stays on and you can hear the distant party through your telephone speaker.</p> <p>For privacy, press Mic to turn your telephone's microphone off. (Otherwise, your conversations may be picked up.)</p> <p>Note Each station's Mic can be set in system programming to switch ON/OFF with one touch, to switch OFF only while pressed and held, or to be either ON/OFF at the start of handsfree dialing. See your System Administrator if you want the setting changed.</p>
--	--

ISDN Outgoing Calling

This feature enables you to make outgoing call using an Integrated Services Digital Network (ISDN) trunk, provided that you are connected to a Strata DK424 system with Release 4.0, or higher, and that you subscribe to ISDN lines. ISDN trunks offer faster call connection setup, and they also provide more connection circuits.

Making an ISDN outgoing call will either be handled automatically with a timer or by you initiating the ISDN “Start” sequence. The method depends on your system’s programming. See your System Administrator to determine the method.

► To make an outgoing call to an ISDN trunk

1. Access an outside CO line
2. Dial the number.
3. Press **Start**.

The dialed digits will not be sent until you press this button or until the timer expires.

Subaddress

Subaddress digits may be required for dialing another department, or to send a call to equipment, such as a printer. If you need to enter subaddress digits, follow these instructions:

► To make an outgoing call with a subaddress to an ISDN trunk

1. Access an outside CO line
2. Dial the number.
3. Press **Sub**.
4. Enter the subaddress.
5. Press **Start**.

The **Sub** button informs the system that the following digits are the subaddress.

The dialed digits will not be sent until you press this button or until the timer expires.

Message Waiting

If you call a busy station [DN] or its user does not answer, you can leave a message waiting indication at the station. The Msg LED at the called station flashes and the user can call you back by pressing the **Msg** button with the flashing LED. (Voice mail devices, as well as people, can leave message waiting indications.)

All telephones have a standard (fixed) **Msg** button/LED for receiving/retrieving messages left by callers that called the station's [PDN]. Telephones that own [PhDNs] can also have up to four additional (flexible) message waiting [PhDN/MW] buttons/LEDs for receiving/retrieving messages left by callers that called the respective [PhDNs]. To use the [PhDN] message waiting feature, your telephone needs to have [PhDN/MWs].

Up to four message waiting indications and LCD messages can be left at each [DN] or [PhDN] at one time. The fourth message and one of the LEDs is reserved for the Message Center.

Message Waiting Light on [PDN]

► To answer a Msg light

1. Press **Msg**, then lift the handset.

If you reach a station that is busy or does not answer, go on-hook and press **Msg** again. The system rotates to the next message sender.

The LCD can show up to three stations that have left messages for the [PDN] and three for each of your [PhDNs].

2. Press **Scroll** to display them.

Your phone rings the station or voice mail device that set the indication. The LED continues to flash red.

In the example (shown at right), the display indicates that station DN [203] received a message signal from DN [201]. The “+” indicates additional messages.

NO. 204 CALL 203-201+

3. After receiving the message(s), place the handset on hook.

If the Msg LED continues to flash, you have more messages—repeat the Steps to retrieve them. Voice mail devices may cancel the indication after a short delay.

➤ **To cancel the Msg light**

- Press **Msg** and lift the handset.

...or [DN] + **#409** to cancel the light. This must be done for each message recorded.

Your Msg LED turns OFF when the called party answers.

Note The called party must answer—by either going off-hook or by pressing **Spkr**—for the indication to be cancelled automatically.

Your Msg LED turns OFF without calling the telephone or VM device.

Message Waiting Light on [PhDN/MW]

➤ **To respond to [PhDN/MW]**

1. Press the flashing red [PhDN/MW] LED.
2. After receiving the message, press **Spkr**
...or place the handset on-hook.

Your phone rings the station or voice mail device that left the message. If the called party or VM device answers, the message waiting indication is cancelled automatically. If there is no answer, hang up and try at a later time. The red [PhDN/MW] LED on your phone continues to flash.

If you have more messages, the red [PhDN/MW] LED continues to flash. To answer the next message, repeat this procedure.

➤ **To cancel [PhDN/MW]**

1. Press [PhDN].
2. Enter **#409**.
3. Press **Spkr**.

You hear a steady dial tone.

The dial tone stops.

The [PhDN/MW] LED turns OFF, indicating that the message has been canceled.

Message Waiting Light on Another Telephone

► To set a message waiting light on another telephone

1. Press [DN] and dial an internal number.

You hear ringback or busy tone.

2. Press **Msg** or **7**.

The Msg or PhDN/MW] LED flashes red at the called telephone. The Msg LED lights steady red at your telephone. The LCD displays the station [203] where you set a message waiting light.

NO. 201 INT 203 MW SET

3. Press **Spkr**.

The Msg LED on your telephone turns OFF. The Msg or [PhDN/MW] LED on the called telephone flashes until the called party presses the flashing **Msg** or [PhDN/MW].

SENT 203 JAN 01 SUN 12: 19

► To cancel a message light set on another station

► Press [DN] and dial **#64** plus the [PDN] or [PhDN] that has the message light set.

Microphone Cut-Off

This feature prevents callers from monitoring the sounds near your telephone when your telephone receives a Handsfree Call or cuts-off the telephone microphone while on a speakerphone call. When the feature is ON, the Microphn Cut-off LED lights steady red and the Mic and Spkr LEDs do not light when your telephone is called. When the feature is OFF, the Microphn Cut-off LED is not lit and your microphone works. The **Microphn Cut-off** functions on Handsfree Answerback and speaker OCA calls for privacy.

► To turn the microphone ON/OFF

► Press **Microphn Cut-off** to toggle between ON/OFF.

Off-hook Call Announce (OCA)

This feature enables you to call and speak through either the handset or the speaker of an off-hook, busy digital telephone. The called station must be set in system programming for this feature to work.

The calling station can be set in system programming for OCA to occur automatically when calling a busy-off-hook station or by dialing an access code after receiving busy tone.

Automatic OCA only functions on Voice First Signaling systems. The following procedure covers both calling options.

- ◆ **Handset Off-hook Call Announce (HS-OCA)** – lets callers make an announcement through the handset (or headset). No special hardware is required.
- ◆ **Speaker Off-hook Call Announce (SP-OCA)** – lets callers make an announcement through the speaker of an off-hook, busy digital phone. The called telephone must be equipped with optional hardware.

When you receive an HS-OCA call while you are on another call, you hear a short warning tone (optional), followed by an announcement.

NO. 204 210 BUSHY OVRD

You are the only one who hears the tone/announcement. The station [210] sending the HS-OCA is displayed on your LCD. Stations in the DND mode cannot receive OCA calls unless the calling station is programmed for DND Override.

While on a speaker OCA call, **Mic** and **Microphn Cut-off** can be used to prevent an OCA caller from listening to your conversation with the original party (see “[Microphone Cut-Off](#)” on Page 49).

► To make an OCA call (Voice First Signaling)

- Lift the handset and dial the [DN]. You hear a single tone (optional) or nothing and can talk to the station (Automatic OCA).

Note If you receive busy tone, press **2** to OCA the station and talk. An optional tone is heard at the busy station, indicating that you are connected on an OCA call.

NO. 203 205 BUSHY OVR

► To make an OCA call (Tone Signaling)

- | | |
|--|---------------------------------|
| 1. Lift the handset and dial the [DN]. | You may hear busy or ring tone. |
|--|---------------------------------|

- | | |
|---|--|
| <p>2. If you hear busy tone, press 21 and speak to the called station</p> <p>...or if you hear a ring tone, press 12 and speak to the called station.</p> | <p>If you hear busy or ring tone after dialing the first digit (2 or 1), disregard the tone and dial the second digit to OCA the called telephone.</p> <p>If you still hear a busy tone after dialing 21 or 12, the called telephone is either busy on a speakerphone call or does not have the OCA option set in system programming. Either condition blocks OCA.</p> |
|---|--|

HS-OCA

➤ To answer an HS-OCA talkback call

- Press and hold **Mic**

This puts the original party on hold and you are connected to the HS-OCA call for as long as you press **Mic**.

When you release **Mic**, the HS-OCA party can not hear you, but you can still hear the original and HS-OCA parties.

...or **HS-OCA
Talkback.**

You are connected to the party that has sent the HS-OCA call. The original party is on hold.

- Note** Press the same button to toggle between parties.

HS-OCA Talkback acts as an ON/OFF switch between the two parties.

➤ To disconnect an HS-OCA call to your station

- Press **Spkr**. The HS-OCA call disconnects.

SP-OCA

➤ To answer an SP-OCA call

- Speak toward the microphone of your phone. You may want to hold your hand over the handset mouth piece to prevent the other party from hearing you.

➤ To disconnect an SP-OCA call to your station

- Press **Spkr**. The SP-OCA call made to your station disconnects.

Override Calls

The available override features are:

- ♦ **Busy Override (BOV)** – enables you to send a muted ring tone to a busy station to indicate that a call is waiting. The BOV muted ring can be programmed for each station to be two muted rings only or continued muted rings until the call is answered. This option applies to the station receiving the muted ring. The muted ring can be sent to the telephone speaker or to the telephone handset/headset and speaker.

- ♦ **Do Not Disturb Override** – lets you send a tone to an idle or busy station in the DND mode to indicate that a call is coming in. Your phone can also be programmed to block Do Not Disturb Override from other phones. Your station's LCD shows the station you have called [210] is in the DND mode.

NO. 204 INT 210 DND

OCA is possible to DND stations from stations that are programmed for Do Not Disturb Override.

- ♦ **Executive Override** – enables you to enter an established conversation. Your phone can also be programmed to block Executive Override from other phones. The **Privacy on Line** does not block this feature.
- ♦ **Privacy Override** – enables you to enter an established call on a private common CO **Line** button; it will not operate on common [DNs] which are always private. (See “Conference Calls” which allow up to four parties to talk on a [DN] button.)

Up to two station users can enter an existing CO line-to-station call (i.e., up to three stations can be connected to a CO line). You can also use this feature if the station that is already connected to the CO line is in the Privacy Release mode. Station users with **Privacy Release** can allow stations to enter their conversations, even if the station entering the conversation is not programmed for Privacy Override.

Privacy Override is blocked by DND.

- ♦ **Toll Restriction Override** – Stations can be individually restricted from making toll calls. Each station can be allowed or denied specific area and office codes, long distance information calls, international calls and/or operator-assisted calls. You can completely override Toll Restriction at selected stations or you can change the station's Toll Restriction class. The station resumes its normal class at the conclusion of the call.

Busy Override

- After reaching a busy station, press **2**.

A muted tone is heard at the busy station, indicating that a call is waiting. The station number [210] displays.

<p style="text-align: center;">NO. 203 210 BUSY OVR</p>

Do Not Disturb Override

- After reaching a station in DND mode, press **2**.

A tone signal is heard at the DND station, indicating a call is coming in. On your station, the LCD shows the station number [210] you have overridden.

<p style="text-align: center;">NO. 204 210 DND OVR</p>
--

Your LCD displays **DND OVR DENY**, if the station you called denies Do Not Disturb Override.

<p style="text-align: center;">NO. 204 DND OVR DENY</p>

Executive Override

- After reaching a busy station, press **3**.
...or if you have an LCD phone, use the OVRD Soft Key. (See [“How to Use Soft Keys”](#) on Page 78.)

You enter the conversation. The called parties may hear an optional tone signal prior to your entering the conversation.

The overridden station [210] displays until the call is ended.

<p style="text-align: center;">NO. 204 210 EXEC OVRD</p>
--

Your Station

The station initiating executive override [204] displays until the override is disconnected.

<p style="text-align: center;">NO. 210 204 EXEC OVRD</p>
--

Called Station

Privacy Override

- After reaching a busy station, press **Line**.

Connected parties may hear an optional tone signal before you are connected. Your station's LCD displays the CO line identification, **Line 03**.

NO. 204 LINE 03 PRV OVRD

The overridden station's LCD displays the initiating station's number [**204**].

NO. 205 204 PRV OVRD

Toll Restriction Override

1. Access a CO line.
2. Press **Cnf/Trn + #47**.
3. Enter the Toll Restriction Override Code (four digits).
4. Dial a telephone number.

You hear dial tone and the LED flashes at the in-use rate.

You no longer hear dial tone and your LCD prompts you to enter a code.

NO. 204 OVERRIDE CODE
--

You hear dial tone. For security reasons, the override codes are only available on a selected basis. See your System Administrator.

Page Announcements

Station users can make page announcements to telephones and external speakers.

► To make a page announcement

1. Press [DN], lift the handset, and enter a paging access code.
2. Use a normal voice level to make your announcement, then repeat it.
3. Hang up.

Note Each of the page access codes (including the [PDN] button) can be stored on an **SD** button. See [“Speed Dial—Advanced Features” on Page 61](#)

All Call Page

You can make an All Call Page to digital/electronic telephones assigned to the “All Call Page Group.” Stations are assigned to the “All Call Page Group” in system programming.

► To make an All Call Page

1. With the handset off-hook, press **All Call Page**
...or [DN] + **#39**.
2. Make your announcement in a normal voice level and repeat it.
3. Hang up.

The **All Call Page** button pages “All Call Page” telephones but does not access external page speakers.

Note **#39** may also Page external speakers as well as “All Call Page” telephones, depending on system programming.

Privacy On-Line

With this feature, you can block those with Privacy Override from entering your CO line. The button does not block Busy or Executive Override.

► To set/cancel privacy

- Press **Privacy on Line** to set privacy. The LED lights steady red. Others are blocked from entering your CO line calls when they press a common CO line button.

...or press **Privacy on Line** again to cancel the feature. The LED turns OFF.

Privacy Release

This feature enables others to enter your call on a common CO line just by pressing **Line** on their telephone. It only works on common CO lines (i.e., CO lines which appear on more than one telephone). Privacy Release cannot be used on single appearing CO lines or multiple [DN] buttons. Calls on common [DNs] are always private and cannot be accessed by more than one telephone.

Similar to conference calls, up to three stations can be connected to a CO line.

► To use Privacy Release

- While on a CO line call, press **Privacy Release**.

The LED lights red. The CO line flashes at all appearances. When another station user enters the CO call by pressing a common CO **Line**, the Privacy Release LED turns OFF.

To add a third station, press **Privacy Release** again and the process is repeated.

Release and Answer

This feature enables you to automatically disconnect or transfer an active call and answer a new call using a button, instead of a hookswitch. When you receive the new call, the LED flashes red and you hear a muted, Busy Override or Camp-on busy tone.

► To release an active call and answer an incoming call

- While on a call, you receive an incoming call. Press **Release and Ans**

...or **Cnf/Trn** and dial a “transfer to” destination. Then press **Release and Ans**

...or **DSS** of a “transfer to” destination, then press **Release and Ans**.

Releases the original call and answers the new incoming call.

Note You can press **Hold** before **Release and Ans** if you do not wish to release the original call.

Transfers the original call and answers the new call.

Transfers the original call and answers the new call.

Saved Number Redial

This feature enables you to store a dialed telephone or station number, then redial that number with the touch of a button.

► To save a telephone number

- While on a call that you dialed (busy, talking, or ringing), press **Save Last Number**.

► To call a saved telephone number

- Access a [DN] or CO line, then press **Save Last Number**. The system automatically dials the “saved” number.

Speakerphone

All digital telephone users can answer internal calls handsfree (on-hook), but only users with a speakerphone can make and receive calls without lifting the handset. Any digital telephone model with an “S” in the model name is equipped with a speakerphone.

➤ To change from speakerphone to handset

- Lift the handset.

➤ To change from handset to speakerphone

1. While on a call, press and hold **Spkr**.
2. Return the handset on-hook.
3. Release **Spkr**.

➤ To make a call (on-hook dialing)

1. With the handset on-hook, access a CO line or press a [DN].
2. Dial a telephone number.
3. Speak in a normal voice level toward the telephone.
4. Press **Spkr** to disconnect the call.

You hear dial tone and the Line or [DN] LED flashes green (in-use).

You hear ringback tone (or busy tone, if busy).

Note Your **Mic** button must be set to be ON at the start of a call in system programming. If not, you must press the **Mic** button before talking.

➤ To answer an incoming call using speakerphone

1. With the handset on-hook, press the **Line** or [DN] with the flashing LED.

The Line or [DN] LED flashes green (in-use) and you are connected to the call.

2. Speak at a normal voice level toward the telephone.
3. Press **Spkr** to disconnect the call.

Speed Dial

Speed Dial enables you to call a telephone number with a brief access code. There are two types of Speed Dial numbers:

- ♦ **Station** – assigned by individual station users to their own station and can only be dialed from the station that assigns it.
- ♦ **System** – only assigned from attendant consoles or a designated station (typically the System Administrator's station), and can be used by other stations. (See *System Administrator User Guide* for storing instructions.)

Important! *If you do not perform the following procedures within a specified time (set in system programming for either one or three minutes) when storing speed dial numbers, the operation times out and your telephone returns to idle mode.*

► To store/replace a telephone number on a Station Speed Dial button

1. With the handset on-hook, press **Redial**.
2. Press the **SD** you wish to store the telephone number on.

...or **Speed Dial** and enter the code that you want to store the telephone number in. See [Table 15 on Page 109](#) for codes.
3. Enter the telephone number (max. 20 digits).

SD buttons are assigned in system programming.

To store longer dialing strings, see “[Speed Dial Number Linking](#)” on Page 64.

To insert a pause or flash signal in the number, see “[Speed Dial Pause and Flash Storage](#)” on Page 63.

4. Press **Redial**.

The number is stored.

➤ **To clear a telephone number on a Station Speed Dial button**

- Repeat the previous procedure on [Page 59](#), skipping Step 3.

➤ **To program one-touch telephone number dialing**

- Repeat the previous procedure on [Page 59](#), except for Step 3. For Step 3, press [PDN] + CO line access code before the telephone number. See “[CO Line Access Codes](#)” on Page 107.

➤ **To make a call using a Speed Dial button or access code**

1. Access a CO line.

If your **SD** button has been programmed to automatically do this, skip this step.

2. Press **SD**

...or **Speed Dial**.

Then enter Speed Dial access code (see [Table 15](#) on Page 109).

The system dials the telephone number assigned to the button/code. If your **SD** button is “one-touch,” as explained above, skip Step 1.

Speed Dial—Advanced Features

Feature Access Codes

You can program **SD** (Speed Dial) buttons with feature access codes for a single feature or a sequence of features as long as the keyed dial pad characters do not exceed 20 digits. To determine how many digits you have, count 2 digits for **Cnf/Trn**, [PDN] and **Hold** feature buttons and 1 digit for all other dial pad characters.

See [Table 7](#) for a list of feature access codes. Your System Administrator can tell you which features can be programmed on your telephone.

► To store a feature onto a **SD** button

- **Redial + SD + Feature Access Code + Redial.**
 - ✦ See [Table 7](#) for Feature Access code sequences.
 - ✦ **SD** = the speed dial button the feature is stored on.

► To store a feature onto a code

- **Redial + Speed Dial + Speed Dial Access Code + Feature Access Code + Redial.**

Important!

- Do not lift the handset.
- If you do not enter the entire sequence within a specified time (set in system programming for either one or three minutes), the operation times out and your telephone returns to idle mode.
- If your telephone does not have a **Speed Dial**, press “*” instead of Speed Dial, and enter **44** instead of **#** in all feature sequences
- [PDNs] can be stored in speed dial sequences but [PhDNs] and [SDNs] cannot.

Table 7 Feature Access Codes

Features	Feature Access Code Sequence
Account Code ¹ (Frequently used codes)	Cnf/Trn + #46 + Account code digits
Automatic Callback	4
Background Music ² (Telephone Speaker ON)	[PDN] + #481
Background Music ² (Telephone Speakers OFF)	[PDN] + #480
Call Forward—All Calls (To Station or VM)	[PDN] + #601 + Directory Number
Call Forward—Busy (To Station or VM)	[PDN] + #602 + Directory Number
Call Forward Cancel	[PDN] + #601
Call Forward—No Answer	[PDN] + #603
Call Forward External	[PDN] + #670
Call Forward External Cancel	[PDN] + #670
Door Phone Calling	[PDN] + door phone Directory Number
Hookflash Signal ¹	Cnf/Trn + #45
ISDN Sub	467
ISDN Start	469
ISDN Tone	490
Off-hook Call Announce (Manual Mode)	Voice First: 2 ; Tone First: 1, 2 1, or 1 2
One-touch Voice Mail Access	[PDN] + Voice Mail Directory Number
Outgoing Calls	[PDN] + CO line access code (See Table 12 on Page 107.)
Overrides (Busy, DND)	2
Overrides (Executive)	3
Page Access ⁴	Hold + [PDN] + #XXX #XXX = Page Access code - "Paging Access Codes" on Pages 108 and 109 .
Park Call/Access Page The existing call is parked and you are automatically connected to the page.	Cnf/Trn + #331 + [X X X] + [Y Y Y] [X X X] ³ = 9 0 0-9 1 9 or 999 park zone number; [Y Y Y] = page group/zone (See Tables 13 and 14 on Page 108.)
Pickup ⁴ (Directed to station, new, or transferred call)	Hold + [PDN] + #5 + station number [PDN]
Pickup a held or ringing [PDN] or [PhDN] (not available for all systems)	[PDN] + #5#2 + [X X X X] [X X X X] = [PDN] or [PhDN] to be picked up

Table 7 Feature Access Codes (continued)

Features	Feature Access Code Sequence
Pickup ⁴ any ringing CO line (new call only)	Hold + [PDN] + #59
Pickup Station Page or Ringing Door Phone ⁴	Hold + [PDN] + #5#30
Pickup ⁴ External Page	Hold + [PDN] + #5#35
Pickup Line on Hold (lines 1~99) ⁵	[PDN] + #5 + #70(01~99)
Pickup Line on Hold (lines 100~200) ⁶	[PDN] + #5 + #7(100~200)

1. These codes can be used during a CO line call.
2. Background music speakers can only be turned ON/OFF from Station 200.
3. XXX = Auto Park Orbit 9 9 9 (access the next available park orbit), or General Park Zones 900~919, or [PDN] on which the call should be parked. Only use 999 with LCD telephones.
4. This feature will hold an existing call when the button is pressed. If the button is pressed when not on a call, pickup or page will still be accessed. These codes can be used during a CO line call.
5. After pressing the feature button, the user dials the line number (01~99) to pickup the line.
6. After pressing the feature number, the user dials the line number (100~200) to pickup the line.

Speed Dial Pause and Flash Storage

Some Speed Dial numbers may require a pause (long or regular) or hookflash be included (e.g., tone delay requires a pause at the beginning of a Speed Dial number).

Hookflash	Regular Pause	Long Pause
<p>The Flash button stores a flash signal only if Spd Dial Pause is programmed as a flexible button on the telephone. The flash signal is 0.5 or 2 seconds long (set in system programming) and is displayed on the LCD as “F”.</p> <p>➤ Press Flash</p> <p>...or enter the hookflash dial code (Cnf/Trn + #45).</p>	<p>The pause is either 1.5 or 3 seconds (set in system programming). The LCD displays “P”.</p> <p>➤ Press Spd Dial Pause</p> <p>...or if Spd Dial Pause is not on the telephone, press Flash to store a pause.</p>	<p>Ten-second pause, which can be entered anywhere in the Speed Dial number. The LCD displays “L”.</p> <p>➤ Press Spd Dial Lng Pause.</p>

Speed Dial Number Linking

You can link any of the Station Speed Dial numbers to System Speed Dial codes or to any of the optional buttons associated with these codes. This enables up to 36 digits to be stored under one Station Speed Dial button or code.

The number directly stored in the System Speed Dial number dials out first, then the number linked to it. Typically, a company's special carrier access telephone numbers are stored as part of the digit string.

Note A designated station can be used to link System Speed Dial codes. See the *System Administrator's User Guide*.

Important! *Before linking Speed Dial Numbers, make sure the System Administrator has stored the desired number in the System Speed Dial you plan on using.*

► To link station/system speed dial numbers

1. Press **Redial**.
2. Press **SD**
...or **Speed Dial** + a
Station Speed Dial Access
Code. (See [Table 16 on
Page 110](#).)
3. Press **Speed Dial**.
4. Enter the System
Speed Dial Access
Code to which the
number will be
linked. (See [Table 16
on Page 110](#).)
5. Enter the telephone
number to be stored
(max. 16 digits).
6. Press **Redial**.

The number is stored and is automatically dialed when the optional linked station **SD** button is pressed or the linked Station Speed Dial access code is dialed.

Linked Speed Dial Example

The System Administrator can store a CO line access code plus international long distance dialing codes in System Speed Dial locations (See [Table 16 on Page 110](#)). You link the System Speed Dial code to a telephone number stored in any Station Speed Dial location on your station.

System Administrator

Stores the CO line access code and the international dialing sequence (9011813) in the System Speed Dial location *690 from the administrator station.

- Press **Redial + Speed Dial + 690 + [PDN] + 9011813 + Redial**.

Note

When you press [PDN], the letter “I” (Intercom) is displayed on your LCD. It is the [PDN] that is used to automatically access internal dial tone before dialing the remaining numbers in the Speed Dial sequence (in our example that number is 9011813).

where:

- 690** – System Speed Dial Code that is linked.
- 9** – CO line access code.
- 011** – international area code.
- 81** – country code (example: Japan)
- 3** – city code (example: Tokyo)

Station User

Stores the System Speed Dial information on Speed Dial Code 10.

- Press **Redial + Speed Dial +10 + Speed Dial + 69058769374 + Redial**.

where:

- 10** – Station Speed Dial Code.
- 690** – System Speed Dial Code being linked to Speed Dial Code 10.
- 5876-9374** – local Tokyo telephone number.

➤ To use the new link

- From your station, press the **SD (10)** button or **Speed Dial + 10**. Your telephone automatically dials **9** to access a CO line, then the international dialing sequence code plus the local telephone number.

Chain Dialing Speed Dial Numbers

You can call two or more Speed Dial numbers during one call. This enables you to add additional parties (conference calls) to your conversation with Speed Dialing. It also allows dialing of a stored code, such as a credit card number, to send to a far-end computer.

► To chain dial Speed Dial numbers

1. Access a CO line.
(See [Table 12 on Page 107](#) for CO Line Access Codes.)
2. Press **Speed Dial** and dial the Speed Dial code for the telephone number to be dialed.
(See [Table 15 on Page 109](#) for Speed Dial Codes.)
3. To dial another telephone number, press **Cnf** and repeat Steps 1 and 2.

Timed Reminders

You can set five separate reminders at your station. At the time (hour and minute) set by you, your telephone beeps. If your phone has an LCD, the message is also displayed. You can set the reminder to occur once or on a daily basis.

► To set a timed reminder

1. Press a [DN] and dial a timed reminder number (**#605~#609**).
2. Enter the time you want to be reminded.
3. Press **0** for the reminder to be repeated every day, or **1** for a one-time reminder only.

Use a 24-hour clock format (HHMM).

#605 TIMER SET

#605 TIMER SET 0800

#605 TIMER SET 08001

4. Enter desired LCD message station number (**10~19**) or system number (**60~99**)

...or enter **00** if your telephone does not have an LCD or if you do not want a message to display when the time reminder tone sounds.

#605 TIMER SET 0800110

5. Press **Redial**.

The time is recorded in memory and you should hear a beeping tone (along with the displayed message) for 30 seconds at the set time.

DATA PROGRAMED

6. To cancel the beeping/message prior to 30 seconds, press **Mode** + **0** or take the phone off-hook.

► **To cancel a Timed Reminder**

1. Press [DN], then the number of the timed reminder (**#605~#609**) you want to cancel.

You can only cancel one reminder at a time.

2. Press **Redial**.

The reminder is cancelled.

Tone/Pulse Dialing

With some older Central Offices, you may have to make calls on CO lines that are programmed for rotary dial pulses. This feature enables you, while on these lines, to switch to tone dial in order to access remote equipment (such as an answering machine) requiring DTMF tones.

With ISDN calls, when **Tone Dial Select** is pressed, all of the digits entered after that point will be sent with DTMF tones.

► To change Tone Dialing

<ol style="list-style-type: none"> 1. Access a CO line. 2. Dial a telephone number. 3. While on the call, press Tone Dial Select. 	<p>Although the CO line is programmed for rotary dial pulses, access the CO line and dial the telephone number like any other call described in this user guide.</p> <p>The Tone LED lights steady red and you are able to send DTMF tones with your dial pad. The feature is cancelled when the call is completed.</p>
---	---

Two (Tandem) CO Line Connection

[DN] Button

This feature enables a station user to connect two CO lines, then drop out of the conversation.

► To connect two outside lines (using a [DN] button)

<ol style="list-style-type: none"> 1. While talking on an outside call using a [DN] button, press Cnf/Trn. 2. Dial a CO line access code and then the outside telephone number. 	<p>You hear dial tone. The [DN] LED flashes (conference rate).</p>
--	--

See [Table 12 on Page 107](#)—CO Line Access Codes or ask your System Administrator.

3. After the party answers, press **Cnf/Trn**.

The [DN] LED flashes (in-use rate) and all parties are conferenced.

If you receive a busy tone/no answer, press [DN] to return to the original connection.

4. Press **Cnf/Trn** and hang-up.

You hear dial tone before you hang-up. The [DN] LED flashes (exclusive-hold rate) and the two lines are connected. **N1** and **N2** identify the connected CO lines.

TRK-TRK N1 N2 JAN 10 THU 11: 57

The LED turns OFF when the parties hang-up.

If the public telephone company provides auto disconnect, the connection may release automatically when the parties hang up. If not, the lines must be supervised to be disconnected (see [“Supervision” on Page 71](#)).

CO Buttons

This feature allows a station user to connect two CO lines, then drop out of the conversation. On some systems, both CO **Line** buttons (or **Pooled Line Grp** buttons) must appear on your telephone to allow Tandem connections to be established from your telephone.

► To connect two outside lines (using a **Line** button)

1. Press CO **Line** ...or **Pooled Line Grp** and dial a telephone number.
2. After the party answers, press **Cnf/Trn**.

You hear dial tone.

You hear dial tone. The CO Line LED flashes (conference rate). The new Line LED flashes (in-use rate).

3. Press another CO **Line**
...or **Pooled Line Grp** and dial a telephone number.
...or on some systems, you can press **Cnf/Trn** and dial a CO line access code followed by a telephone number.
4. After the party answers, press **Cnf/Trn**.
If you receive a busy tone or no answer, return to the original connection by pressing the original **Line** button.
5. Press **Cnf/Trn** and hang up.

It is not necessary to have both CO **Line** buttons on your telephone.

The Line LEDs both flash (in-use rate) and all parties are conferenced.

You hear dial tone. Both Line LEDs continue to flash (exclusive-hold rate) and the two lines are connected. **N1** and **N2** identify the connected CO lines.

TRK-TRK N1 N2 JAN 10 THU 11: 57

The LED turns OFF when the parties hang-up.

If the public telephone company provides auto disconnect, the connection may release automatically when the parties hang up. If not, the lines must be supervised to be disconnected (see [“Supervision” on Page 71](#)).

Supervision

► To supervise a tandem call and release it

<ol style="list-style-type: none"> 1. Press [DN] ...or Line ...or Pooled Line Grp. 2. If the parties have hung up, go back on-hook ...or if the parties are still talking, press Cnf/Trn and hang-up. 	<p>You are connected to both CO lines. Both Line LEDs flash (in-use rate). N1 and N2 identify the connected CO lines.</p>	<div style="border: 1px solid black; padding: 5px;"> <p>TRK-TRK N1 N2 JAN 10 THU 11: 57</p> </div>
	<p>Both Line LEDs turn OFF and the connection is released.</p>	

Voice Mail Integration

This section explains how to program your telephone for Call Forward and retrieve messages when using a Toshiba Voice Mail System with your Strata DK system. Refer to the appropriate Toshiba Voice Mail User Guide for more information:

- ♦ *Strategy Voice Processing User Guide*
- ♦ *Toshiba VP User Guide*

Message Mailbox

To direct forwarded calls to your mailbox—your personal storage space for voice messages—and to ensure that callers receive your personal greeting, you must store a Voice Mail (VM) Identification (ID) code. You need to store the ID code only once. Then whenever your station is call forwarded to voice mail, the VM ID code is automatically sent to the voice mail unit to direct the call to your mailbox.

Your [PDN] and up to four [PhDNs] can be independently Call Forwarded from your telephone to either a unique (or the same) mailbox number. Telephones must be programmed as the owners of a [PhDN] to be able to call forward the [PhDN] to a voice mailbox number.

► To assign a voice mail message mailbox number

Note This procedure is required for the initial storage of VM ID code to the Toshiba Voice Mail system. Once programmed, these digits remain in memory until changed. To change the code, repeat this procedure.

1. Press [DN] + #656 .	You hear confirmation tone.	656 ID CODE SET
2. Enter the voice mail ID code and the voice mailbox [DN], plus any required pauses (up to 16 characters).	Example: for Toshiba voice mail systems, enter 91 + the mailbox number. 203 = mailbox number of the [DN] you pressed in Step 1.	91203
3. Press Redial .	You hear a confirmation tone. The LCD confirms the data storage.	DATA PROGRAMED

► To cancel the mailbox number

- Press [DN] + **#656** + **Redial**.

Message Retrieval

You can program a flashing **MSG** or [PhDN/MW] to automatically retrieve your voice mail messages when it is pressed. Storing the message retrieval sequence in Steps 1~4 below is required only once. It remains in memory unless cancelled or changed.

► To assign the message retrieval sequence

1. Press [DN] + #657 .	You hear a confirmation tone.	657 ID CODE SET
-------------------------------	-------------------------------	------------------------

2. Enter the voice mail system code and the voice mailbox [DN], plus any required pauses (up to 16 characters).
3. Enter your security code.
4. Press **Redial**.

Example: for Toshiba voice mail systems, enter **92** + the mailbox number.

92203

[203] = mailbox number.

By storing your security code, you avoid having to enter your code every time you access your mailbox; however, this will also allow anyone to retrieve your messages from your phone. If a security code is not desired, do not include it.

You hear confirmation tone. The LCD confirms the data storage.

DATA PROGRAMMED

➤ **To retrieve messages with **Msg** or [PhDN/MW] button**

- Press **Msg** [PhDN/MW] button with flashing LED.

➤ **To cancel automatic retrieval**

- Press [DN] + **#657** + **Redial**.

Multiple Message Retrieval (LCD Telephones)

1. With the flashing LED, press **Msg** or [PhDN/MW].

The displayed station is called.

When a message waiting voice mail is displayed, a **V** follows the station number. If a + sign is displayed, you have message waiting indications from more than one source (voice mail or stations). Press **Scroll** to rotate through more message waiting sources.

NO. 203
CALL 200 216V+

Call Forward to Voice Systems

By setting Call Forward to the Toshiba Voice Mail System on your telephone, callers are automatically connected to your voice mailbox.

Note **Call Forward** buttons can only be used to Call Forward [PDNs]; access codes can be used to Call Forward [PDNs] or [PhDNs].

► To forward calls to voice mail

<p>1. Press the desired Call Forward button</p> <p>...or a [PDN] or [PhDN] + access code.</p>	<p>The LED flashes.</p> <p>You hear a confirmation tone after entering the access code.</p> <p>Call Forward access codes:</p> <table data-bbox="689 673 1198 812"> <tr> <td>Call Forward-All Calls:</td> <td>#601</td> </tr> <tr> <td>Call Forward-Busy:</td> <td>#602</td> </tr> <tr> <td>Call Forward-No Answer:</td> <td>#603</td> </tr> <tr> <td>Call Forward-Busy-No Answer:</td> <td>#604</td> </tr> </table>	Call Forward-All Calls:	#601	Call Forward-Busy:	#602	Call Forward-No Answer:	#603	Call Forward-Busy-No Answer:	#604
Call Forward-All Calls:	#601								
Call Forward-Busy:	#602								
Call Forward-No Answer:	#603								
Call Forward-Busy-No Answer:	#604								
<p>2. Dial the Voice Mail System Directory number_____.</p>	<p>See your System Administrator for the correct voice mail Directory Number. After dialing, you hear confirmation tone.</p>								
<p>3. Press the same Call Forward button used in Step 1</p> <p>...or if you used an access code sequence, press Speed Dial + Redial + Spkr.</p>	<p>If your phone has a Call Forward button assigned, its LED lights steady red.</p>								

► To cancel Call Forward

<p>► Press Call Forward button</p> <p>...or press a [PDN] or [PhDN] + #601, then hang up.</p>	<p>The Call Forward LED turns off.</p> <p>Note Call Forward buttons apply only to [PDNs] and not to [PhDNs].</p> <p>You hear a confirmation tone, and Call Forward is cancelled.</p>
--	---

This chapter covers the LCD, its buttons and displays. Special features available only with the LCD are described in detail and step-by-step instructions on using them are given. (For digital telephone standard features, see [Chapter 2 – Features](#).)

Control Buttons

The **Mode**, **Page** and **Scroll** buttons are active when Soft Keys are turned off or your telephone is idle. [Table 8](#) lists button functions.

Table 8 Control Button Definitions

Button	Definitions
Mode	Cancels the beeping tone when using timed reminders and enables you to enter/exit the following mode functions.
	0 Used to exit another mode and return to clock/calendar display (see “Exit from any Mode” on Page 77).
	1 Busy Lamp Field (BLF) display (see “Busy Lamp Field (BLF) Display” on Page 81).
	2 Busy station messaging (see “Silent Messaging (Busy Station)” on Page 93).
	4 Called station messaging (see “Notification Station Messaging” on Page 91).

Table 8 Control Button Definitions (continued)

Button	Definitions	
Mode (continued)	5	Displays LCD message number NN, where NN can be personal messages or system messages. Mode 5 only displays the selected message. It cannot be used to edit or create a new message.
	8	Speed dial number check and memo dialing (see “Retrieve and Auto Dial Lost Calls” on Page 84).
	60	Caller ID/ANI/DNIS information mode OFF (see “Caller ID/ANI/DNIS Information Mode” on Page 82).
	61	Caller ID/ANI/DNIS information mode ON (see “Caller ID/ANI/DNIS Information Mode” on Page 82).
	62	Caller ID/ANI/Lost Call stored information display (see “Retrieve and Auto Dial Lost Calls” on Page 84).
	64	View Call Park Orbit list (see “Call Park Orbit List Display” on Page 83).
	71	Soft Keys ON (see “Soft Keys” on Page 77).
	70	Soft Keys OFF (see “Soft Keys” on Page 77).
	94	Remote called station messaging (see “Group Notification Station Messaging” on Page 92).
95	Remote calling station messaging (see “To set a advisory station message for a remote station” on Page 90).	
Page	<ul style="list-style-type: none"> † Changes Busy Field groups. † Changes displays (date/time, elapsed time, message, call forward, dialed number). † Scrolls through speed dial numbers when in Mode 8. <div style="border: 1px solid black; padding: 5px; width: fit-content; margin-left: auto; margin-right: auto;"> <p style="text-align: center;">NO. 204 MAY 24 MON 12: 05</p> </div>	
Scroll	<ul style="list-style-type: none"> † Scrolls through message waiting numbers. † Scrolls through the speed dial digits (if more than 16 digits) when in Mode 8. 	

Exit from any Mode

1. Press **Mode**.

MODE NO. ?

2. Press **0**.

The LCD displays date/day/time.

JUNE 03 TUE 03:54

Soft Keys

The Soft Key feature provides a quick-and-easy way to access frequently-used features during a call. When Soft Keys are on, they replace the Mode, Page, and Scroll functions. When your telephone is idle, Soft Keys do not display and the **Mode**, **Page**, and **Scroll** keys operate as LCD control buttons.

If the Soft Key feature is activated at your station, you can still access features with feature buttons (fixed or flexible) or with access codes. Your telephone may already come with the Soft Keys activated.

► To turn Soft Keys ON

1. Make sure that your telephone is idle and the handset on-hook.

2. Press **Mode + 71**.

Your LCD confirms that the keys are on.

LINE OR STATION?
LINE STA. RTRN

► To turn Soft Keys OFF

1. Make sure that your telephone is idle and the handset on-hook.

2. Press **Mode + 70**.

Your LCD confirms that the keys are off.

NO. 204
SOFT KEY OFF

Soft Key Display

Abbreviated Soft Key feature prompts display on the LCD above the Control buttons (**Mode**, **Page**, and **Scroll**). In the following example, you would press **Mode** for the **TRNS** function, **Page** for **CONF** and **Scroll** for **PGE**.

TALK ON LINE 2		
TRNS	CONF	PGE

If the Soft Key feature is activated at your station, incoming call information does not display on your LCD while your station is busy. To display this information, you must either disconnect the existing call or place it on hold.

How to Use Soft Keys

This section provides an example of how to use Soft Keys to make a Conference call by adding a station to an outside call. See [“Soft Key Prompts” on Page 80](#) for a list of features that can be accessed with Soft Keys.

Example: Using Soft Keys to Make a Conference Call

While on an outside call (**LINE 3**) you initiated, your LCD displays the prompts **ABR**, **CONF**, and **PGE** during the first 30 seconds (if **ABR** does not appear, then this feature was not assigned in system programming).

TALK ON LINE 3		
ABR	CONF	PGE

Thirty seconds after the first digit of the telephone number is dialed, the display changes to **TRNS**, **CONF**, and **PGE**. If the call is an incoming call, the **TRNS** prompt appears immediately when you answer the call.

TALK ON LINE 3		
TRNS	CONF	PGE

► To Use Soft Keys to Make a Conference Call

1. While on an outside call, press **CONF** (**Page**) to initiate the Conference.

(Optional) You can press **RTRN** (**Scroll**) to terminate the operation and return to the outside call.

The outside call is placed on-hold.

LINE OR STATION?		
LINE	STA.	RTRN

<p>If you press RTRN, you will have to repeat the previous step if you wish to return to transfer, conference, or page.</p>		<p>DIAL STATION NO. RTRN</p>
<p>2. To transfer to a station, press STA (Page).</p>		<p>CALLING JANE BROWN 203</p>
<p>3. Dial a station number.</p>	<p>The name and/or number [203] displays for about three seconds.</p>	<p>ANNOUNCE TO 203 TRNS CONF PGE</p>
	<p>If you have Voice First Signaling, the display changes to:</p>	<p>RINGING 203 TRNS TALK RTRN</p>
	<p>If you have Tone First Signaling, the phone rings station [203] and the display changes to:</p>	<p>TALK WITH 203 TRNS JOIN RTRN</p>
<p>4. (Optional) If you have voice first signaling, announce the call to station 203.</p>	<p>The called station answers, and you are connected to station 203 and the outside call remains on-hold.</p>	<p>LN3+203 EXIT CONF</p>
<p>5. Press JOIN (Page).</p>	<p>All parties are now joined in a conference. Your LCD indicates that you are in a conference with CO line 3 and station 203 [LN3+203].</p>	<p>The other parties remain connected in the conference call.</p>
<p>6. Press EXIT (Mode) to drop out of the conference ...or CONF (Page) to add another party to the conference.</p>		

Soft Key Prompts

Table 9 provides definitions of all of the Soft Key prompts that could appear on your LCD.

Table 9 Soft Key Prompts

Soft Key	Definition
ABR	Activates Automatic Busy Redial after dialing a busy outside telephone number.
ACB	Activates Automatic Callback after reaching a busy station, CO line, or CO Line group.
BUSY	(Busy Override) Sends a call-waiting tone to a busy station.
CONF	Initiates or completes a conference.
EXEC	(Executive Override) Breaks into the conversation of a busy called station.
EXIT	Exits you from a conference; remaining parties are connected.
JOIN	Joins all parties to a conference while on a conference call.
LINE	Adds a CO line to an existing call while in the Conference mode. The LCD prompts you to access a CO line after you press this key.
MESG	Sets a message waiting indication at a busy or unanswered station.
OVRD	Overrides options, busy mode, or overrides Do Not Disturb mode.
PGE	Parks an outside call and to gain access to a menu of options.
RING	Makes a called station ring when making a voice announce call to the station.
RLS	Disconnects a call and returns phone n to the idle state.
RTRN	Terminates a feature operation and to return to a previously displayed state.
STA.	Adds a station to an existing call while in the Conference mode. The LCD prompts you to dial a station number after you press this key.
TALK	Makes a voice announcement to a called station that is ringing.
TRNS	Initiates or completes a Transfer while on an outside call. Press once for an immediate or announced transfer, depending on system programming. Pressing TRNS again completes the transfer.

Busy Lamp Field (BLF) Display

This feature displays when a station is busy or ringing on any type of [DN] or CO line. If all or a telephone's [PDNs] are in use on another telephone(s), the telephone shows busy on the BLF, even though it may be idle. If a telephone is in the DND mode, the telephone BLF appearance displays busy.

Starting with the number entered, the BLF displays a group of 10 [PDNs] per line; a total of 20 for the LCD. Pressing **Page** scrolls the display. The BLF mode stops all other displays from appearing on your telephone's LCD.

► To display the BLF

1. Press **Mode + 1**.

BLF NO. ?

2. If [PDNs] are two digits, press **#**
...or enter the first digit of a three-digit [PDN]

For example, if you enter 2 for 200, the list of telephone [DNs] beginning with the **200** display. The sample LCD (shown at right) indicates that stations **200**, **205**, and **217** are in use or DND mode.

200 0 5
210 7

...or enter the first two digits of a four-digit [PDN].

3. Press **#**.

4. Press **Page** to rotate BLF groups.

The **200/210** group changes to **210/220**.

210 7
220 . . 2 . 4 9

Caller ID/ANI/DNIS Information Mode

Automatic Number Identification (ANI) information cannot co-exist on the same telephone LCD with Dialed Number Identification Service (DNIS) information. If your system is programmed to receive both ANI and DNIS information on incoming calls, press **Page** while the call is ringing to alternate between DNIS and ANI/Caller ID LCD displays. After you answer the call, you can not alternate between displays.

DNIS

Incoming DNIS telephone numbers can be correlated in the system database with assigned DNIS names. These names, up to 16 alphanumeric characters, display on your telephone's LCD, enabling incoming calls to be instantly identified and appropriately answered. [Table 10](#) shows DNIS samples.

ANI/Caller ID

If your telephone is programmed to receive Caller ID names and numbers, the calling party's name displays. [Table 10](#) shows ANI samples. If Caller ID was activated, then the caller's name and/or number would appear on the first line.

➤ **To display the number while the call is ringing**

- While the call is ringing, press **Page**.

MR. JONES LINE 3 RINGING

➤ **To activate the Caller ID/ANI or DNIS display mode**

- Press **Mode + 61**. (The system default is ON.)

➤ **To deactivate the Caller ID/ANI or DNIS display mode**

- Press **Mode + 60**.

Table 10 DNIS/ANI Samples

Function	ANI/Caller ID Number*	DNIS/Caller ID Name
Incoming Call	CN: 7145556782 LINE 3 RINGING	TOSHIBA TSD LINE 3 CALLING
Incoming ACD Call		TOSHIBA TSD LINE 3 RINGING
Answered incoming or transferred call. Display changes to call duration.	CN: 7145556782 ANSWERED LINE 3	TOSHIBA TSD ANSWERED LINE 3
Call placed on-hold.	HOLD LINE 3 SEP 9 TUES 18:30	
Held call recalls your station.	CN: 7145556782 LINE 3 RECALL	TOSHIBA TSD LINE 3 RECALL
Station 201 is transferring a call to you (station 200).	NO. 200 201 CALLING	
Transferred station (201) hangs up.	CN: 7145556782 LN 3 TRANS 201	TOSHIBA TSD LINE 3 TRANS 201
Transferred call recalls your station (201).	CN: 7145556782 L 3 RECALL 201	TOSHIBA TSD L 3 RECALL 201
Call forwarded to your phone.		TOSHIBA TSD LINE 3 CALL 201

*Caller ID numbers do not display **CN:** before the number, whereas ANI does.

Call Park Orbit List Display

This feature enables you to monitor (view) the calls that are parked at your station.

- While your phone is idle, press **Mode + 64**.

...or **Orbit List**. To scan the Orbit List, press **Scroll**.

LCD shows the CO Line number (**003**) and the orbit number where the call is parked (**900**).

LN 3 ORBIT 900+

Retrieve and Auto Dial Lost Calls

The system automatically saves the numbers for all calls that ring at your telephone, but are unanswered (lost calls). This feature enables you to view the stored information, view the time and date, delete the information without returning the call, and/or Auto Dial the saved numbers.

► To view lost calls

1. Press Mode + 62 .	The phone number and caller name are displayed on your LCD. ANI/ Caller ID numbers always include area codes.	MR. JONES 7145553700
2. Press Scroll	The next lost call displays.	MR. SMITH 7145568725
...or *	The previous lost call displays.	MS. DOE 7143723546
...or Page .	Toggles between the phone number/ caller name screen and the date and time screen.	06/02 17: 46 CN: 7145553700
		MR. JONES 7145553700

Note **CN:** Identifies ANI calls as opposed to Caller ID calls which do not display **CN:**.

► To delete lost call

1. Press Mode + 62	The next lost call is displayed.	MR. SMITH 7145568725
2. Press Scroll	The next lost call displays.	

...or press *****

The previous lost call displays.

<p>MS. DOE 7143723546</p>

...or press **#**.

The lost call information is deleted without auto dialing the call.

► **To Auto Dial the lost call**

1. Press **Mode + 62**

The phone number and caller name are displayed on your LCD. ANI/ Caller ID numbers always include area codes.

<p>MR. SMITH 7145568725</p>

2. Press **Scroll**

The next lost call displays.

...or *****

The previous lost call displays.

<p>MS. DOE 7143723546</p>

3. Press **CO Line**

You hear dial tone.

...or a [DN] + **CO Line** access code.

4. Press **Lost Call Auto Dial**.

The DK System auto dials the digit “1” before dialing the saved, outgoing telephone number.

Messages, Memos, and Name Display

The LCD on your telephone can be used to send or receive messages to/from other LCD telephone users (sample shown at right). It can also display the names/numbers of the person calling your telephone or the name of the person you are calling. Names and memos can also be set to display with speed dial numbers and timed reminders.

<p>BACK AT 2-PM-CALL MEETING FOR 3PM</p>
--

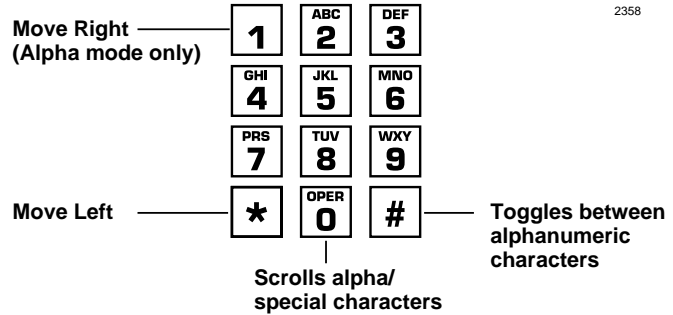
You can write or edit a station message (10~19), “fill in the blanks” of system messages 62~64, enter a name/title that will display when other stations call your station (see “[Name/Number Display](#)” on Page 96), or enter a Speed Dial (see “[Speed Dial Memos](#)” on Page 94) or Timed Reminder memo (see “[Timed Reminders](#)” on Page 66). System messages 65~99, if available, are written by the System Administrator and cannot be edited by the user.

► **To enter LCD characters**

1. Access message/memo/name display.
2. Enter the message/name/memo (up to 32 alphanumeric characters), using the following dial pad keys (dial pad shown at right):
 - 1** – moves right
 - *** – moves left
 - #** – toggles between alphanumeric mode (dial pad defaults to numeric mode)
 - 0** – scrolls the alpha/special characters.
3. To blank out any portion of a message, press **1** (in alpha mode) and move the cursor to the right.

A cursor (—) appears at the first character in the display.

See [Table 11](#) for dial pad key equivalents.



Each character the cursor transverse is deleted.

Table 11 Dial Pad Key Equivalents

Letter	Key Equiv.	Letter	Key Equiv.	Letter	Key Equiv.	Symbol	Key Equiv.
A	2	J	5	S	700	:	1000
B	20	K	50	T	8	–	10000
C	200	L	500	U	80	+	100000
D	3	M	6	V	800	/	1000000
E	30	N	60	W	9	Note Symbols shown above must be made in alpha character mode on the dial pad.	
F	300	O	600	X	90		
G	4	P	7	Y	900		
H	40	Q	10	Z	100		
I	400	R	70				

Messages

There are three basic LCD message functions:

- ♦ **Advisory messaging** enables you to store an informative message for LCD telephones that call your phone.
- ♦ **Silent messaging** enables you to write a message that you can send to busy LCD telephones. Silent messaging lets you communicate visually to someone who is occupied on the telephone.
- ♦ **Notifications** enable you to send your station number and message indication to another LCD station. Responding to the message, the called station receives your message.

System Messages 60~64

System messages 60~64 are standard messages. You can “fill in the blanks” of messages 62~64 (see below). Example: Message 64 can be edited to read **RETURN ON JAN. 4**. Callers with LCD phones will see that message when they call your number.

System Message Number	Preprogrammed message (Max. 32 digits per message)
60	OUT TO LUNCH
61	IN A MEETING
62	CALL _____
63	BACK AT _____
64	RETURN ON_____

System Messages 65~99

System messages 65~99 can only be programmed or permanently changed at the Administrator’s telephone. Any messages programmed at Administrator’s telephone remain in memory until canceled from Administrator’s telephone or until the system is reinitialized.

Station Messages

You can create up to 10 station messages (10~19). Once entered, a message can never be deleted; only overwritten. This is a station option that is enabled in system programming.

► To enter/store a station message

1. Press LCD Msg Select ...or [PDN] + #68 .	The LCD Msg Select/[PDN] LED flashes.	MSG NO. ?
2. Enter the two-digit message number (10~19) to be stored.	The current message, if any, is displayed.	
3. Enter the message. (See “ To enter LCD characters ” on Page 86.)	The LCD Msg Select/[PDN] LED lights steadily, and the LCD displays the message. The message is now stored in system memory.	

4. Repeat Steps 1~3 for any additional messages you want to store.
5. Press **LCD Msg Select**
...or **Spkr.**

The message displays on your LCD an Advisory Message (see below). To cancel the message display, press [PDN] and dial **#68** or press **LCD Msg Select**.

► **To set an advisory message for incoming calls**

1. Press **LCD Msg Select**
...or a [PDN] + **#68**.

The LCD Msg Select/[PDN] LED flashes.

MSG NO. ?

2. Enter the desired message number:
10~19 (station)
...or **60~99** (system)

The selected message displays. (This assumes the message has already been stored in memory.)

MSG NO. 10

3. Press **LCD Msg Select**
...or **Spkr.**
4. If you have Call Forward set, press **Page** to display the message instead of the CF display.

The message displays on your telephone's LCD. The LCD Msg Select/[PDN] LED lights continuously. The selected message is sent to LCD phones when they call your [PDN] or any [PhDN] owned by the telephone.

➤ **To cancel an advisory message that has been set at your station**

- Press **LCD Msg Select**

...or [PDN] + **#68** + **Spkr.**

The LED goes out. If a station message was sent, this procedure does not erase it.

➤ **To set a advisory station message for a remote station**

1. While your telephone is idle, press Mode + 95 .		MODE 95 DEST EKT NO.?
2. Dial the destination [PDN].	207 = the destination [PDN]	MODE 95 DEST EKT EKT NO. 207
3. Press Page .		MW TO ST123 MSG NO?
4. Enter the message number (station 10~19 ; system, 60~99).	(This assumes the message is already stored in memory.)	MW TO STXXX MSG NO?10
5. Press Page .	Remote calling station messaging allows you to set a calling station message for only one station at a time.	
6. Press Mode .	207 = the [PDN] where message will be set. 010 = the message number. M = message is set.	CALL 207-010M
7. Press 0 .	Your LCD shows the time and date. The message is displayed at station 207. LCD telephones calling station 207 receives the message.	SENT 207

Called station

Your station

Message Notifications

With an LCD telephone, you can set short messages (up to 32 characters) that display to callers with LCD telephones.

Any station can record a message; however, only stations with an LCD are able to see the stored messages. Stations that do not use Soft Keys (Soft Keys Off: **Mode + 70**) can send messages “live” to other LCD station users.

Notification Station Messaging

Your station number and a message indication can be sent to another LCD station. When that station responds, it will receive the message. Soft Keys must be OFF at the sending station for this feature to operate.

► To set a notification station message

1. Press [PDN] and dial the station Directory Number (station does not answer or is busy).

2. Press **Mode + 4**.

MW TO STXXX
 MSG NO.?

3. Enter the message number.

Station message (10~19), system message (60~99). The LCD displays the message. (This assumes the message has already been stored in memory.)

4. Press **Msg**.

5. Press **Spkr** or hang up to release.

Msg LED flashes on the called station.

204 = the called [DN]
207 = the [PDN] of the station that sent the message
M = message has been sent.

CALL 204-207M

Called station

SENT 204

Your station

➤ **To receive a notification station message**

- Press **Msg** when your telephone Msg LED is flashing.

➤ **To cancel the message from the telephone that set the message**

- | | |
|--|---|
| ➤ Press [PDN] and dial #64XXX . | XXX is the [PDN] of the telephone that has the message set. |
|--|---|

Group Notification Station Messaging

This feature enables a station to set a Called Station Message for a group of stations.

➤ **To set a notification station message for another station or group of stations**

1. Press Mode + 94 .		<div style="border: 1px solid black; padding: 2px; width: fit-content; margin: 0 auto;"> MODE 94 DEST EKT NO.? </div>
2. Dial the destination [DN] ...or press #30 for all call page stations, ...or enter a group code (#31~#38).	Station groups correspond to the same stations that are in respective Page groups assigned in system programming. 207 =destination [DN] or group number. #31~#38 for Page Group 1~8 respectively.	<div style="border: 1px solid black; padding: 2px; width: fit-content; margin: 0 auto;"> MODE 94 DEST EKT NO. 207 </div>
3. Press Page .		<div style="border: 1px solid black; padding: 2px; width: fit-content; margin: 0 auto;"> MODE 94 ORG EKT NO.? </div>
4. Dial the originating [PDN].	This can be your number or another station number.	<div style="border: 1px solid black; padding: 2px; width: fit-content; margin: 0 auto;"> MODE 94 ORG EKT NO. XXX </div>
5. Press Page .		<div style="border: 1px solid black; padding: 2px; width: fit-content; margin: 0 auto;"> MSG NO.? </div>
6. Enter the message number (station 10~19 ; system, 60~99).	The LCD displays the message. In this example, system message 60 was entered. (This assumes the message is already stored in memory.)	<div style="border: 1px solid black; padding: 2px; width: fit-content; margin: 0 auto;"> OUT TO LUNCH </div>

7. Press **Page**.

MSG NO.?

8. Press **Mode**.

MODE NO.?

9. Press **0**.

At the destination station, the LCD displays the originating station number and the **Msg** LED flashes.

SENT 207M

➤ **To receive a notification message**

➤ Press **Msg**.

➤ **To cancel the message from the telephone that set the message**

➤ Press [PDN] and dial **#64XXX**, where XXX is the [PDN] of the telephone that set the message.

Silent Messaging (Busy Station)

An audible tone and an LCD message can be sent to an LCD station that is busy. The busy station can return a message to the calling station's LCD. The two stations may continue this procedure to carry on a "silent" conversation. Soft Keys must be OFF (**Mode + 7 0**) at the sending and receiving stations for this feature to operate.

➤ **To send a message to a busy station**

1. When you receive a busy tone, press **Mode + 2**.

210=[DN]

OVER TO ST210
MSG NO?

2. Enter the message number.

Station message (10~19) and system message (60~99). The LCD displays the message. (This assumes the message is already stored in memory.)

3. Press **Page**.

The destination station beeps four times and the message displays for 30 seconds, or until you hang up.

Your LCD confirms the message was sent.

MSG SEND

➤ **To return to a busy station message after receiving a busy station message**

1. Press **Mode** + **2**.

OVR TO ST210
MSG NO?

2. Enter the message number.

Station message (10~19) and system message (60~99). The LCD displays the message. (This assumes the message is already stored in memory.)

3. Press **Page**.

Your LCD confirms the message was sent.

MSG SEND

Memos

Speed Dial Memos

You can store names (12 characters max.) for each of 40 station speed dial numbers. The memo pad of names can be scrolled to select the appropriate party. The station must be enabled via system programming for LCD message memory.

➤ **To program Speed Dial names and numbers**

1. Press **Redial**, then **Speed Dial**.

2. Dial a station speed dial code.

See [Table 15 on Page 109](#) for speed dial codes.

* 10 SPEED DIAL

3. Press **Mode**.

If a name was previously stored on this code, it appears on the top line.

*10 NAME
SPEED DIAL

- | | |
|---|---|
| <ol style="list-style-type: none"> 4. Enter the name or memo (12 characters maximum). 5. Press Mode. 6. Enter a phone number (16 characters maximum). 7. Press Redial to record data in memory. | <p>The name appears on the bottom line as you enter it. (See “To enter LCD characters” on Page 86.)</p> <p>The number displays on the top line as you enter it.</p> |
|---|---|

➤ **To display the Speed Dial number and memo**

- Press **Mode** + **8X~X**, where X~X is the speed dial number to be displayed.

➤ **To dial a Speed Dial number**

- | | |
|---|---|
| <ol style="list-style-type: none"> 1. When your phone is idle, press Mode + 8. 2. Enter Station Speed Dial Code
...or System Speed Dial Code. 3. Press Page to see more of the directory of numbers/memos. 4. Press an available Line
...or [DN] and enter a CO line access code. | <div style="border: 1px solid black; padding: 5px; width: fit-content; margin: 10px auto;">SPEED DIAL NO. 10</div> <p>The number is dialed.</p> |
|---|---|

➤ **To check a speed dial number**

- | | |
|--|--|
| <ol style="list-style-type: none"> 1. When phone is idle, press Mode + 8. | <div style="border: 1px solid black; padding: 5px; width: fit-content; margin: 10px auto;">MODE NO.? 8</div> |
|--|--|

2. Dial a speed dial number.
3. Press **Page** to scan the directory for the appropriate number/memo.
4. Press **Scroll** to display any remaining digits.

TOSHIBA is the memo (up to 12 characters).

*11 TOSHIBA 7145553700

714 583 3700 is the number (up to 16 digits).

If the number is longer than 16 digits, a “+” appears in the far right corner of the display.

Timed Reminders

See [“Timed Reminders” on Page 66](#).

Name/Number Display

This feature enables you to enter a name/title, telephone number, location, etc. in system memory. This name/title (e.g., LOBBY) displays on your station’s LCD while it is idle, and on other stations’ LCDs when you call them or they call you.

Name display information for non-LCD telephones or voice mail/auto attendant devices may be entered by the System Administrator for display on other stations’ LCDs when called.

When this feature is set, your Name/Number displays during direct, forwarded, and hunted calls. On override or OCA calls, it does not display.

► To enter name/number information

1. Press [DN] + **#621**.

USER NAME ?

2. Enter the new information (up to 16 characters, e.g., user name and station number). See [“To enter LCD characters”](#) on Page 86.
3. Press **Spkr**.

The information is stored and appears on the top line of your station's LCD.

TOSHIBA EXT. 200 DATE DAY TIME

When you call a station, the name/title displays on the bottom of the called station's LCD.

NO. 213 TOSHIBA EXT. 200

► To clear name/number display

1. Press [DN] + **#620**.
2. Press **Spkr**.

You hear confirmation tone, then busy tone.

During clear:

NO. 213 USER NAME RESET

After clear: A name is displaced by message and call forward settings if they are set.

NO. 213 DATE DAY TIME

Note This procedure does not erase the name/number. To restore the display, press [DN] + **#621**.

► **To erase name/number display**

1. Press [DN] + **#621**.

Current information displays on the lower line of the LCD.

USER NAME ?

2. Press **1** in the alpha mode to enter blanks.

Blank characters replace the information.

3. Press **Spkr**.

The information is erased and the [PDN] of the telephone is displayed.

This chapter provides an equipment overview of the following two optional units and describes the features buttons and their associated LEDs.

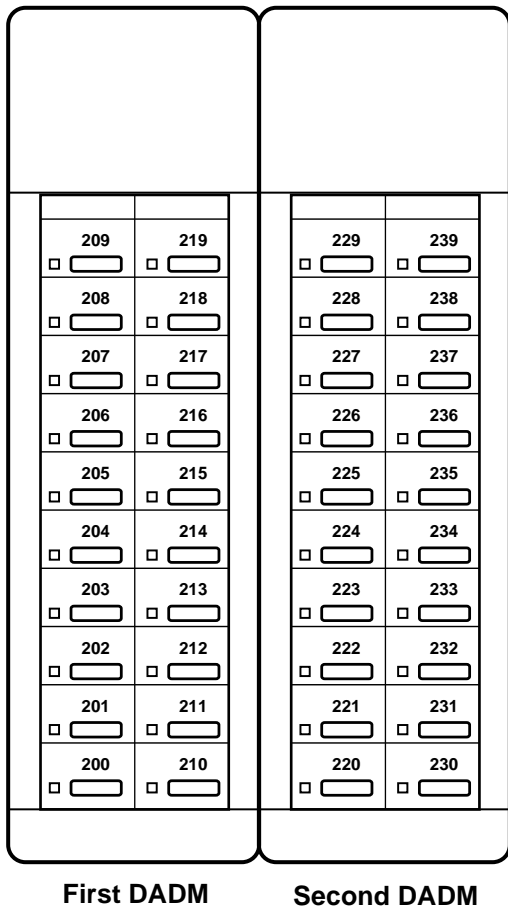
- ♦ **Digital Add-on Module (DADM)** – add 20 feature buttons to 2000-series digital telephones. Up to two DADMs can be connected to a telephone.
- ♦ **Direct Station Selection (DSS) Consoles** – available for system operators who do not have an attendant console. (See [“DSS Console” on Page 101.](#))

DADM

The DADM, model DADM2020, is shown in [Figure 4 on Page 100](#). The buttons can be programmed for [DSS], CO line access, and Station or System Speed Dial. Directory Numbers or other functions cannot be assigned to DADMs.

Each [DSS] and **Line** button has an LED that provides a status of the CO line or station assigned to it.

- ♦ The [DSS] LED flashes green when the station equipped with an DADM is calling or transferring an outside call to a station. (If calling a station, the LED turns steady red when the called station answers; if transferring to a station, the LED turns steady red when you hang up to complete the transfer.) The DSS LED is steady red whenever the station associated with the DSS is ringing, busy, or in the DND mode.
- ♦ A Line (CO) LED is green when the CO line is in use by the DADM console user. It is red if it is in use by another telephone user.



Notes

- The button numbers shown in this figure are examples only and may not reflect the numbers on your particular station equipment.
- Not available on DK14 systems.

Figure 4 Example Button Assignments for the Strata DK DADMs

DSS Console

The DSS console operates alongside of a digital telephone to provide the telephone with 60 additional feature buttons. The buttons can be programmed for [DSS], CO line access, All Call Page, Night Transfer, and Station or System Speed Dial. This guide applies to the DSS Console models DDSS2060 (see [Figure 5](#)), DDSS1060, and HDSS6560.

LEDs on the DDSS2060 and DDSS1060 models light or flash red or green, and LEDs on the HDSS6560 model light or flash red. For the DDSS2060 and DDSS1060 models, the Line (CO) and [DSS] LEDs act in the same manner as on the DADM; other feature button LEDs on both of these models will be red when activated.

TOSHIBA					
209	219	229	239	249	NT
□	□	□	□	□	□
208	218	228	238	248	AC
□	□	□	□	□	□
207	217	227	237	247	257
□	□	□	□	□	□
206	216	226	236	246	256
□	□	□	□	□	□
205	215	225	235	245	255
□	□	□	□	□	□
204	214	224	234	244	254
□	□	□	□	□	□
203	213	223	233	243	253
□	□	□	□	□	□
202	212	221	232	242	252
□	□	□	□	□	□
201	211	221	231	241	251
□	□	□	□	□	□
200	210	220	230	240	250
□	□	□	□	□	□

Notes

- The button numbers shown in this figure are examples only and may not reflect the numbers on your particular station equipment.
- Not available on DK14 systems.

Figure 5 Example Button Assignments (DDSS2060 shown)

[DSS] Button

The Direct Station Select [DSS] button can appear on both the DADM and DSS Console. Each DSS button is associated with a particular station in your telephone system. It can be used to transfer an outside call to the associated station or to make a direct call to the associated station. The [DSS] LED lights steady red when the station associated with the [DSS] is ringing, busy on a call, or in the DND mode; or when the associated station is idle, but all appearances of the station's [PDN] are busy or in-use by other stations. [DSS] buttons cannot call station [PhDNs], Distributed Hunt Group [DNs], or ACD Groups.

Features

The LED color indications described in these feature descriptions apply specifically to the DADM and DSS Console models DDSS2060 and DDSS1060. Flash conditions described here apply to all DSS console models and the DADM.

Calling a Station

To call a station's [PDN] from either a DSS console or a DADM, press the [DSS] associated with the station. A station call with a [DSS] can be made on-hook or off-hook, and with Voice First or Tone signaling. After pressing the button, treat the call like any other station call made from a digital telephone.

[DSS] LEDs indicate whether the associated station is idle or busy. The LED is steady red if the station is busy or ringing, and is not lit if idle. If all the station's PDN buttons are being used by other stations, the DSS LED of the station is lit steady red, but the station may be idle. If the station is in the DND mode, its DSS LED lights steady red.

Transfer to an Idle Station

You can transfer internal or outside calls to an idle station from either a DSS console or a DADM.

► To transfer a call to an idle station

1. Press [DSS] corresponding to the station to be called.

The call is placed automatically on hold. The Line or [DN] LED flashes green at double the on-hold rate, and the [DSS] LED flashes green.

You hear a single-ring tone. (If using the Tone signaling mode, you hear successive ring tones.)

- | | |
|---|---|
| <ol style="list-style-type: none"> 2. Announce the call. 3. Hang up. | <p>With Tone signaling, you would have to wait for the called station to answer before announcing the call.</p> <p>The call rings the called station when you hang up. While the called station is ringing, the [DSS] LED is steady red, and the Line LED flashes green at the on-hold rate or if on a [DN] button, it goes idle.</p> <p>When the called station answers the call, the [DSS] LED stays steady red, and the Line LED becomes steady red.</p> |
| <ol style="list-style-type: none"> 4. If the station does not answer before a period set in system programming, the call recalls your station. | |

Call Transfer with Camp-on

You can transfer a call to a busy station from either a DSS console or an DADM. Use the [DSS] to transfer the call, even though the [DSS] LED associated with the station you are “transferring to” is red.

► To transfer call to a busy station

- | | |
|---|---|
| <ol style="list-style-type: none"> 1. Press [DSS] corresponding to the busy station to be called. 2. Hang up. | <p>You may hear a busy tone. The original caller is placed automatically on hold. The Line or [DN] LED flashes green at double the on-hold rate, and the [DSS] LED remains steady red.</p> <p>The call rings the called station once with the camp-on tone. While the called station is receiving this tone, the Line LED flashes green (on-hold rate) or if you are on a [DN] button, it goes idle. The [DSS] LED remains steady red.</p> <p>When the called station answers the transferred call, the Line LED becomes steady red. The [DSS] LED remains steady red.</p> <p>Note If the busy station is in the DND mode, the call will not transfer, but will recall your telephone immediately.</p> <p>If the call is not answered after a specified Recall time set in system programming, camp-on is cancelled and the transferred call rings back.</p> |
|---|---|

Call Answering (CO Line)

If your DADM or DSS console is equipped with a **Line** button, you can answer CO line calls from the DADM or DSS console as you would from a digital telephone. See [Chapter 2 – Features](#) for detailed information.

- **To answer an incoming CO Line call to a DADM or DSS Console**
 - Press the flashing **Line**.

Speed Dial

Your DADM or DSS console may be equipped with **SD** (Speed Dial) buttons that can be programmed to dial telephone numbers or to access features. **SD** buttons on either the DADM or DSS console function like **SD** buttons on digital telephones. See [Chapter 2 – Features](#) for information.

Paging

You can make an announcement page to a group of station telephone speakers selected in system programming with **All Call Page** on the DSS console. **SD** (if programmed) on either the DSS console or the DADM can be used for page announcements. See [“All Call Page” on Page 55](#).

Call Forward Override ([DSS] Override)

Either the DSS buttons on your DSS console or the associated telephone can be set in system programming to ring stations that are in the Call Forward mode, instead of being forwarded. Usually the console’s telephone is the unit activated to perform this function. Among other applications, this feature can be used to notify a person who forgets to deactivate the Call Forward feature after returning to the office.

Important! *DSS buttons on DADMs cannot override Call Forward.*

- **To override call forward with the console’s associated telephone**

1. Press **Cnf/Trn** or [PDN].
2. Dial the station number set for call forward.

Make the call as you would from any other station. This procedure assumes your station has a typical program setting.

➤ **To override call forward with your DSS Console**

- Press the station [DSS] set for call forward.

Night Transfer

You can use the DSS console to make the system ring different telephones for incoming calls during different times of the day. For further details, refer to the *Strata DK System Administrator's User Guide*.

➤ **To enable/disable night transfer**

- Press **Night Transfer** to toggle night transfer ON/OFF.

This appendix contains access codes for outside Speed Dial numbers, CO lines, Paging Group and Paging Zone Codes.

CO Line Access Codes

CO lines are used when you dial an outside number. If your telephone does not have a **CO** or **Line** button, you can enter the appropriate code listed in [Table 12](#) to access an outside line.

You can also store the code on a Speed Dial (**SD**) button for one-touch access. If you are storing a CO line access code onto a Speed Dial code, enter **44** before the CO access code (e.g., to store code **7001**, enter **447001**).

In some systems, **9** is used as a general group code or to access Least Cost Routing (LCR). System users are required to dial **9** in order to access an outside line. If you press **9** in a system programmed with LCR, you may not hear internal dial tone, depending on system programming.

See your System Administrator for the code which applies to your telephone.

► To access a line

- Press [PDN] + CO Line Access Code

Table 12 CO Line Access Codes

System	CO Line Access Codes
DK14	9 or 801~804 or #7001~#7004
DK16e	9 or 801~808 or #7001~#7008
DK40	9 or 801~808 or #7001~#7012

Table 12 CO Line Access Codes (continued)

System	CO Line Access Codes
DK424 (RCTUA)	9 or 801~808 or #7001~#7016
DK424 (RCTUBA/BB)	9 or 801~808 or #7001~#7048
DK424 (RCTUC/D)	9 or 801~816 or #7001~#7144
DK424 (RCTUE/F)	9 or 801~816 or #7001~#7200

Notes

- ✦ **9** accesses LCR or a general line group.
- ✦ **801~816** accesses line groups 1~16, respectively.
- ✦ **#7001~#7200** accesses individual lines 1~200, respectively.

Feature Access Codes

See [Table 7 on Page 62](#).

Paging Access Codes

Your telephone can be assigned to page group(s). Telephones can be a member of more than one group and each group can have as many as 120 stations. Station users can access each group separately by dialing an access code ([Tables 13~14](#)).

- **To enter a paging group access code**
 - Press **[PDN] + Access Code**

Table 13 Paging Groups

Paging Group	Access Code	Paging Group	Access Code
Station Group A	#311	Station Group E	#315
Station Group B	#312	Station Group F	#316
Station Group C	#313	Station Group G	#317
Station Group D	#314	Station Group H	#318

Table 14 External Paging Zones

External Paging Zone	Access Code	External Paging Zone	Access Code
DK14/DK40/DK424 (all processors)			
Paging All Call Page Zone	#30	Paging All Call, External Page Zone	#39
DK40/DK424 ((RCTUA, RCTUBA/BB, RCTUC/D)			
Zone A	#35	Zone C	#37
Zone B	#36	Zone D	#38
DK424 (RCTUE/F)			
Zone A	#351	Zone E	#355
Zone B	#352	Zone F	#356
Zone C	#353	Zone G	#357
Zone D	#354	Zone H	#358

Speed Dial Access Codes

The number of station and system speed dial numbers available to you depends on the size of your company's telephone system. Check with your System Administrator to find out which codes apply to your system.

Once you store a telephone number on any of the codes listed below, you can dial the number by entering the code, such as ***10** or **Speed Dial + 10**.

Table 15 Speed Dial Access Codes

Telephone System Size	Station Speed Dial Codes	System Speed Dial Codes
Small System (DK14/DK16e/DK40/RCTUA)	10~49	60~99
Medium System (RCTUBA/BB and RCTUC/D)	10~49	600~699
Large System (RCTUE/F)	100~139	200~999

Table 16 **Speed Dial Number Linking**

System	System Speed Dial Codes that can be Linked to other Speed Dial Codes
DK14, DK16e, DK40, RCTUA	90~99
RCTUBA/BB, RCTUC/D	690~699
RCTUE/F	990~999

Your system may be equipped with the Centrex Application, which enhances its feature capability when installed behind a Centrex or PBX system. Your telephone may have access to one or more of the enhanced Centrex features listed below:

Flexible Directory Numbering

A station's [PDN] can be three or four digits. It is, therefore, possible to match a station's [PDN] and Centrex line extension number. Dial the entire station number when indicated.

Note Some access code numbers may have been changed to avoid system numbering plan conflicts.

Centrex Feature Buttons

You can access some Centrex features by pressing a preprogrammed flexible button on your telephone, instead of dialing a Centrex access code. The Centrex access code, including the necessary flash and/or pause sequence, is activated when the button is pressed. See your Centrex or PBX operations manual for specific details.

Ringling Repeat

The distinctive ring patterns available in your Centrex system are automatically repeated with your digital telephone, enabling you to answer appropriately for either outside, inside or callback calls.

Delayed Ringing

CO or Centrex line(s) can be programmed for a 12-second and/or 24-second ring delay at stations to permit alternate answering conditions. Answer the line when your telephone is ringing.

Button Labels

All flexible buttons must be programmed for your telephone in system programming and vary for individual telephones. If a button does not appear on your display or telephone keypad label, see your System Administrator for button assignments.

The button labels in this guide are for the 2000-series telephone mode.

Table 17 Feature Button Definitions

2000-series Telephone	Definitions
Account Code	Account Code Button Press to enter a Voluntary Account Code anytime during a Central Office (CO) line call without interrupting the conversation.
Alarm Reset	Alarm Reset Button Press to turn off a telephone alarm connected to a facility alarm mechanism.
Alert Signal (1, 2, 3, or 4)	Alert Signaling Buttons Press to alert a predesignated station with a distinctive sound and to indicate a pre-arranged meaning and visual indication to a predesignated station. Up to four Alert Signal buttons can be assigned to a telephone.
All Call Page	All Call Voice Page Button Press to page all of the digital and electronic telephones in the All Call Page group.
Auto Busy Redial	Automatic Busy Redial Button Press to set up Automatic Busy Redial after receiving a busy tone on a dialed CO line call (not available when calling on tie or DID CO lines).

Table 17 Feature Button Definitions *(continued)*

2000-series Telephone	Definitions
Auto Callback	Automatic Callback Button Press to recall a busy station or station in the Do Not Disturb (DND) mode as soon as that station becomes idle or deactivates DND. Also used for CO line queuing when all lines are busy.
Call Frwd All Calls	Call Forward-All Calls Button Press to forward all calls to another station or voice mail device.
Call Frwd Busy	Call Forward-Busy Button Press to forward calls immediately to another station or voice mail device when your station is busy or in the DND mode.
Call Frwd Busy NAns	Call Forward-Busy/No Answer Button Press to forward calls immediately to another station or voice mail device when your station is busy or in DND mode. Also forwards calls when your station is not answered after 8~60 seconds (set at your station).
Call Frwd No Answer	Call Forward-No Answer Button Press to forward calls to another station or voice mail device when your station is not answered after 8~60 seconds (set at your station).
Call Frwd External	Call Forward-External Button Press to forward Private or DID line calls to an external or internal telephone number.
Call Frwd to	Call Forward-Fixed Button Press to forward all calls to a station or voice mail device assigned in system programming.
Data Release	Data Release Button Press to release data calls. See the Strata DK PC/Data Interface User Guide.
Directed Pickup	Call Pickup Button Press to initiate a ringing Directed Call Pickup of CO line, [DN], and page calls.
Directed Pickup (1, 2, 3, or 4)	Tenant Call Pickup Buttons If the system is shared by tenants, the Directed Pickup 1~4 buttons pick up ringing CO line calls for Tenants 1~4 respectively.
Do Not Disturb	Do Not Disturb Button Press to lock your station in or out of the DND mode.

Table 17 Feature Button Definitions (continued)

2000-series Telephone	Definitions
DSS	Direct Station Selection Button(s) Press to ring a preselected station. The LED associated with each DSS button provides the status (idle/busy) of the station assigned to the button.
Flash	Flash Button Press to perform the following functions: Disconnect and recall dial tone on a CO line; access Centrex or PBX features; enter a pause or flash signal when programming speed dial numbers.
Group Pickup	Group Pickup Button Press to pick up a call that is ringing a station that belongs to a Pickup Group that your station is a member of.
HS OCA Talkback	Handset Off-hook Call Announce Button Press this key while off-hook busy with a call and while being called by an internal caller who initiates off-hook call announce to switch the talk path from the current call to the off-hook call announce internal caller.
LCD Msg Select	Message Select Button Press to enable system and personal messages to be displayed on the optional 32-character LCD.
Line	Line Button Press to answer or access an outside Central Office (CO) line.
Lost Call Auto Dial	Unanswered (Lost) Call Automatic Dial Button Press to automatically dial the stored ANI (Automatic Number Identification) or Caller ID number shown on the LCD. Unanswered calls will be stored on this button and the LCD.
Microphn Cut-off	Microphone Cutoff Button Press to turn the microphone off/on while idle, providing privacy when you receive handsfree internal calls. Also functional when your station receives calls—the Mic button controls the microphone when you originate calls.
Modem	Modem Button Press to reserve a modem from a pool. The LED of the button indicates the status of the modem pool. See the Strata DK PC/Data Interface User Guide.

Table 17 Feature Button Definitions *(continued)*

2000-series Telephone	Definitions
Msg Wait	Additional Message Waiting Buttons Phantom Directory Numbers allow multiple Message Waiting buttons with LEDs for up to four different Directory Numbers [DNs] other than your Primary Directory Number [PDN]. It performs the same Message Waiting functions as the MW/FL button.
Night Transfer	Night Transfer Button Press to control the system's CO line ringing pattern for after-hours incoming calls.
Night Transfer (1~4)	Tenant Night Transfer Buttons Press the appropriate button to control the system's CO line ringing patterns for after hours incoming calls for either of the tenants that share a single Strata DK280 system.
NT Lock (1~4)	Night Transfer Lock Buttons Initiates entry of the NT Lock password. NT L LED will be on when the system ring mode (Day/Day2/Night) is locked.
Orbit List	Park Orbit Display Button - LCD Telephones Only Press to display call(s) parked in orbit. If there are multiple parked calls, a + sign appears on the LCD.
Park and Page	Park/Page Button Press to park internal or outside call in orbit and announce to other telephones or paging speakers to retrieve the parked calls.
Park in Orbit	Park Button Press to park internal or outside calls in an orbit. Call retrieval can be made locally from the same parking telephone or remotely from a different telephone.
Pooled Line Grp	Pooled Line Button Press to access an available CO line from a group of lines appearing under one button.
Privacy on Line	Privacy Button Press to block Privacy Override on common CO line buttons. This button does not block Busy Override or Executive Override.
Privacy Release	Privacy Release Button Press to release privacy on common CO line buttons, enabling other station users to enter your conversations on those buttons. Privacy release does not apply to common [DN] buttons which are always private.

Table 17 Feature Button Definitions (continued)

2000-series Telephone	Definitions
Release and Ans	Release and Answer Button Press to disconnect or complete the transfer the current CO or [DN] call and automatically answer the new incoming CO or [DN] call.
Release Call	Release Button Press to disconnect or complete the transfer of the current CO or [DN] call and to place your station in the idle condition.
Save Last Number	Save Button After dialing an outside or internal directory number, press to “save” the number. Later, you can have the system automatically redial the number for you when you press the button after accessing an internal or outside line.
SD or Customized Button	Speed Dial Button Press to Speed Dial a telephone number or feature access codes. SD buttons can be used as either System Speed Dial numbers or Station Speed Dial numbers.
Speed Dial	Speed Dial Select Button Press (in conjunction with Redial) to store and access Speed Dial number.
Spd Dial Lng Pause	Pause (Long) Button Press to insert a 10-second pause when programming Speed Dial numbers.
Spd Dial Pause	Pause Button Press to set either a one-half or two-second pause when programming Speed Dial numbers. (The pause time is set in system programming).
Start	Start Button Press to make an outgoing call using an ISDN trunk.
Sub	Subaddress Button Press to enter a subaddress on an ISDN trunk outgoing call.
Tel Set Music	Background Music Button Press to turn Background Music on or off over your station speaker.
Tone Dial Select	Tone Button Press to change the outgoing dialing of the CO line in use from dial pulse to tone signaling.

Table 17 Feature Button Definitions *(continued)*

2000-series Telephone	Definitions
Unlock Door	Door Lock Buttons Press to unlock a door lock mechanism.

Index

A

about this book
 conventions, [ix](#)
 how to use this guide, [viii](#)
 organization, [viii](#)
 related documents, [x](#)
ABR, [20](#)
ACB, [21](#)
access code
 using, [25](#)
access codes, [107](#)
 CO Line, [107](#)
 feature, [61](#)
 speed dial, [109](#)
account code
 calls, [17](#)
 emergency override of forced account
 codes, [17](#)
 forced account codes (verified/non-
 verified), [17](#)
add-on module/ DSS console, [99](#)
advisory messaging, [89](#)
alert signaling, [19](#)
all call page, [55](#)
ANI/Caller ID, [82](#)
attendant console calling, [19](#)
auto dial lost calls, [84](#)

automatic busy redial, [20](#)
automatic callback, [21](#)
automatic hold, [22](#)

B

before you begin, [13](#)
BGM over telephone speakers, [23](#)
BLF display, [81](#)
busy override, [53](#)
button labels, [113](#)
buttons, [3](#)
 [DSS], [102](#)
 [PDN], [6](#)
 [PhDN], [6](#)
 [SDN], [6](#)
 Cnf/Trn, [3](#)
 directory number, [5](#)
 feature, [7](#)
 fixed, [3](#)
 flexible, [5](#)
 Hold, [3](#)
 LCD, [8](#)
 Mic, [4](#)
 Mode, [75](#)
 Msg, [4](#)
 Page, [76](#)
 Redial, [4](#)

Scroll, 76
Spkr, 5
volume control, 3, 5

C

call forward, 23
 all calls, 26
 busy/ no answer, 28
 external, 29
 fixed, 29
 modes, 24
 no answer, 27
 to voice systems, 74
 using the buttons, 25
call park
 orbit list display, 83
 orbits, 31
call pickup, 33
 directed, 34
call transfer, 35
 with camp-on, 35
call waiting, 36
called station messaging, 91
Caller ID/ANI/DNIS information mode, 82
centrex application, 111
centrex feature buttons, 111
Cnf/Trn, 3
CO Line access codes, 107
conference calls, 37
control buttons, 75

D

DADM, 99
date/ time/day adjustment, 38
delayed ringing, 112
digital add-on module (DADM), 99
direct inward system access, 38
direct station selection buttons, 40

directed call pickup, 34
directory number, 5
DISA, 38
 incoming calls, 38
 outgoing calls, 39
DNIS, 82
do not disturb (DND), 40
do not disturb override, 53
door lock, 41
door phone, 42
[DSS] button, 102
DSS, 40
 console, 99, 101

E

emergency override of forced account codes, 17
emergency ringdown, 44, 47
executive override, 53
exit from any mode, 77

F

feature access codes, 61
feature buttons, 7
features, 102
 call answering (CO Line), 104
 call forward override ([DSS] Override), 104
 call transfer with camp-on, 103
 calling a station, 102
 night transfer, 105
 paging, 104
 speed dial, 104
 transfer to an idle station, 102
flash, 63
flexible buttons, 5
flexible directory numbering, 111
forced account codes (verified/non-verified), 17

G

- group called station messaging, 92
- group listening, 44
- group pickup, 34–35
 - calls to other groups, 34
 - calls within your group, 34

H

- handsfree answerback, 44
- handsfree monitoring, 45
- Hold, 3
- hotline service
 - emergency ringdown, 44, 47

I

- incoming DISA calls, 38
- indicators
 - LED, 9
- ISDN
 - buttons, 15, 46, 68, 117
 - feature codes, 62

L

- LCD, 8
 - buttons, 8
 - how to enter characters, 85
 - messages, 87
 - operation, 75
 - telephones, 25
 - incoming calls, 25
 - outgoing call, 25
- LED indicators, 9
- liquid crystal display (LCD), 8
- lost calls
 - retrieve and auto dial, 84

M

- memo, 94
 - speed dial, 94
 - timed reminders, 96
- message, 87
 - advisory, 89
 - called station, 91
 - group called station, 92
 - notifications, 91
 - remote calling station, 90
 - silent (busy station), 93
 - station, 88
 - system, 88
- message waiting light
 - on [PDN], 47
 - on [PhDN/MW], 48
 - on another telephone, 49
- messages, memos, and name display, 85
- Mic, 4
- microphone cut-off, 49
- mode button, 75
- Msg, 4

N

- name/ number display, 46, 96

O

- OCA, 50
- off-hook, 10
- off-hook call announce, 50
- on-hook, 10
- outgoing DISA calls, 39
- override
 - busy, 53
 - do not disturb, 53
 - executive, 53
 - privacy, 54

toll restriction, 54
override calls, 52

P

page announcements, 55
page button, 76
paging group codes, 108
phantom directory number, 6
primary directory number, 6
privacy
 on-line, 56
 override, 54

Q

quick reference, 14

R

redial, 4
release and answer, 57
remote calling station messaging, 90
remote destination change, 30
retrieve and auto dial lost calls, 84
ringing repeat, 111

S

saved number redial, 57
scroll button, 76
secondary directory number, 6
silent messaging (busy station), 93
soft keys, 77
 display, 78
 how to use, 78
 making a conference call (example), 78
 prompts, 80
speakerphone, 58
speed dial, 59
 access codes, 109

advanced features, 61
 chain dialing, 66
 linked speed dial example, 65
 number linking, 64
 pause and flash storage, 63
long pause, 63
memos, 94
pause, 63

Spkr, 5
SP-OCA, 51
start (ISDN button), 15, 46
sub (subaddress ISDN button), 46

T

timed reminders, 66
toll restriction override, 54
tone/pulse dialing, 68
two (tandem) CO line connection, 68
 [DN], 68
 CO buttons, 69
 supervision, 71

U

using access codes, 25

V

voice mail integration, 71
 message mailbox, 71
 message retrieval, 72
 multiple message retrieval, 73
volume, 3, 5
volume controls, 10
voluntary account codes (verified/non-verified), 17